

1

2

3

4

Note:

Materials:

- .Insulator: Black plastics Ul94 V-0
- .Tube: Brass plating Ni
- .Plunger: Brass 0.025um Au over 0.8um Ni
- .Barrel: Brass 0.025um Au over 0.8um Ni
- .Spring: SUS

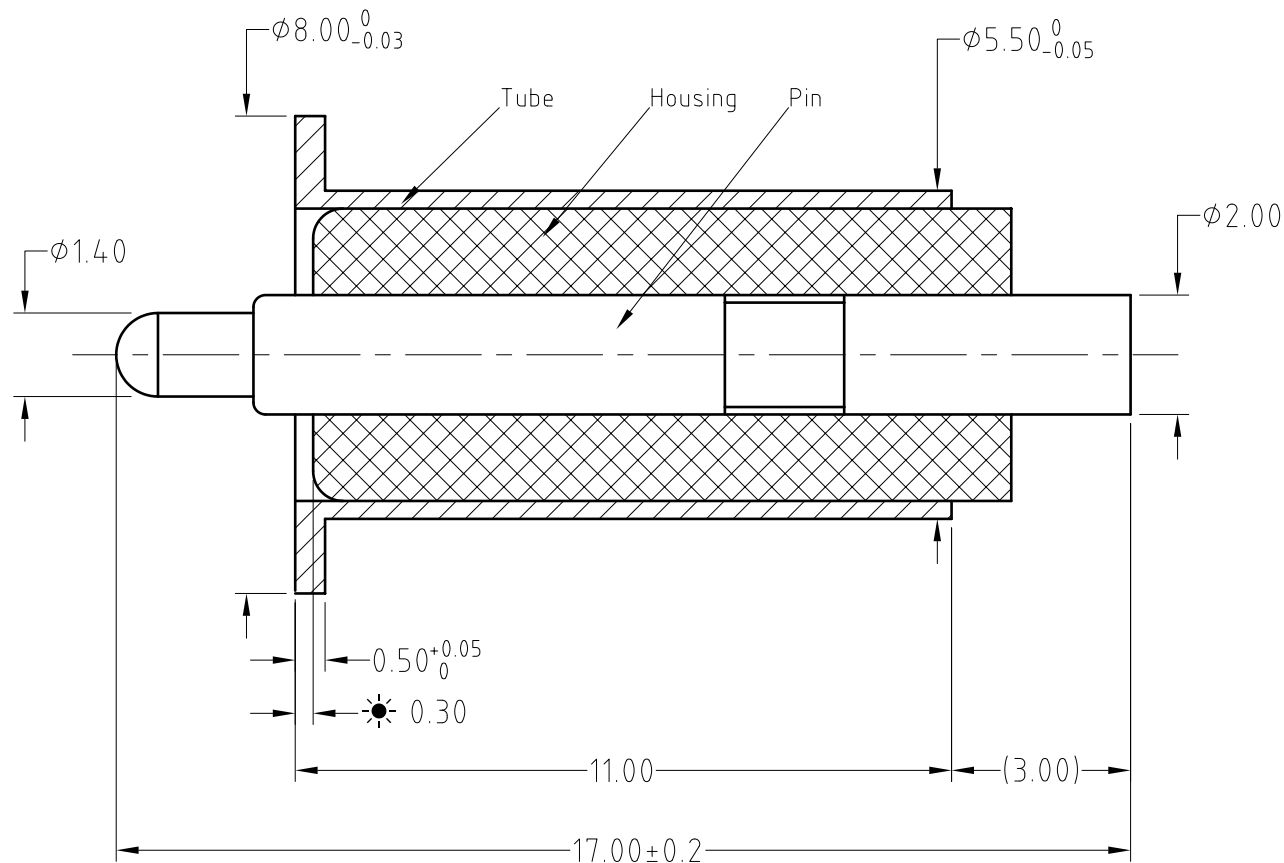
Mechanical:

- .Contact force: 130g±30g at 1.5mm working stroke
- .Life test: 20,000 cycles


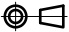
Electrical:

- .Rated current & voltage: DC 12V; 2A Max.

To ensure the best usage, please operate it based on the working height.
Based on the engineering drawings, shall not exceed the maximum allowed compression.



Part	NO.	Qty
CONN	BF01211-01000H01	1
Tube	B012-E1100	1

SCALE	10:1	UNIT:mm	THIS DOCUMENT IS THE SOLE PROPERTY OF CFE CORPORATION CO.,LTD., AND SHOULD NOT BE USED IN WHOLE OR IN PART WITHOUT PRIOR WRITTEN PERMISSION.	SHEET: 1 of 1	 CFE 东莞市川富电子有限公司 CFE CORPORATION CO.,LTD.	
ANGEL	±1°	A4				
0~6	±0.05				PART NO.	M-BF01222-01000H0A
6~30	±0.10	DRAW			FILE NAME	BF01211
30~150	±0.15	CHECK			TITLE.	Pogo pin connector
GENERAL TOLERANCE UNLESS OTHERWISE NOTED		APPRO				

ECN(DCN) NO.	REV	DATE	DESCRIPTION
	A0	2014.11.18	NEW