

Note:<注意>

Mechanical:<机械性能>

.Contact force: 80g±20g at 1.1mm working stroke  
 <接触弹力: 80g±20g在1.1mm的工作行程>  
 .Full stroke: 1.6mm  
 <最大行程: 1.6mm>  
 .Life test: 100,000 cycles  
 <寿命: 100000次>

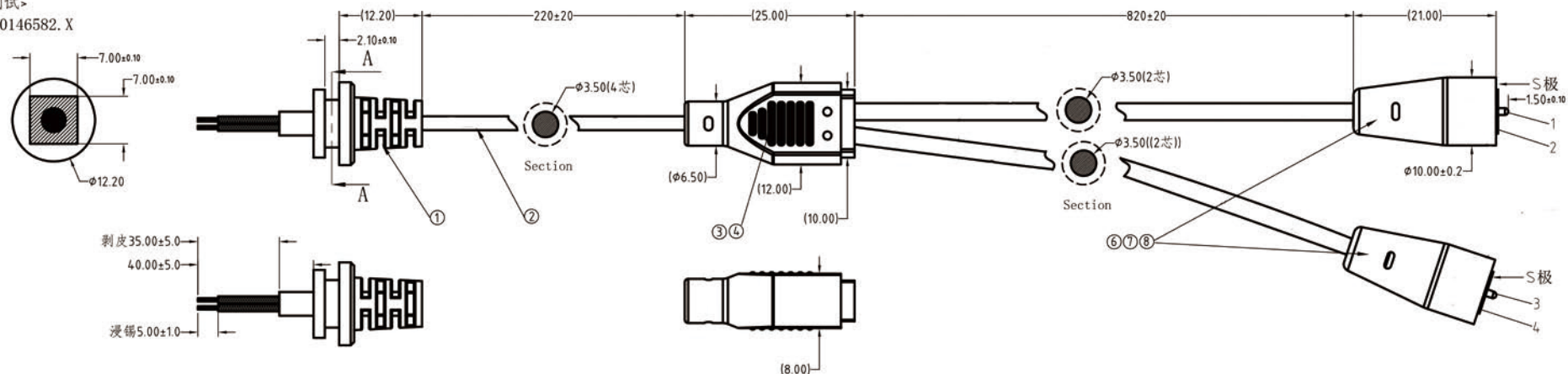
Electrical:<电气性能>

.Rated current & voltage: DC 12V, 2A  
 <额定电压, 电流: DC 12V, 2A>  
 .Contact resistance: 50 milliohm Max.  
 <接触阻抗: 50 milliohm Max.>  
 100% open & short test.  
 <100%导通,短路测试>

专利号: ZL201420146582.X



Approve Sign



8	Magnetic Connector <磁吸接头>	M-BP60611-01000H0A	2
7	Black PVC 45P <成型外被 黑色 PVC 45P >	B000-P0002	2
6	Lucency PE <成型内膜 透明 PE >	B000-P9001	2
5	OD3.5 2C 24AWG Black Jacket PVC 55P 840mm <电子线OD3.5 2芯 24AWG 黑色 外被PVC 55P 840 mm>	X002-0214-XXXX	2
4	PCB polyester fiber board <PCB 聚酯纤维板>	B606-F1000	1
3	Adapter SR Black PVC 45P <转接SR 黑色 PVC 45P>	B000-P0002	1
2	OD3.5 4C 24AWG Black Jacket PVC 55P 300mm <电子线OD3.5 4芯 24AWG 黑色 外被PVC 55P 300 mm>	X004-0209-XXXX	1
1	SR Black PVC 45P <成型SR 黑色 PVC 45P>	B000-P0002	1
序号 (NO.)	规格 (Specification)	料号 (P/N)	数量 (Qty)

Wire → PCB → CONN	
red	Vcc_1 → 1 针
red	Vcc_2 → 3 壳
Black	GND_1 → 2 针
Black	GND_2 → 4 壳

SCALE	10:1	UNIT:mm	THIS DOCUMENT IS THE SOLE PROPERTY OF CFE CORPORATION CO.LTD. AND SHOULD NOT BE USED IN WHOLE OR IN PART WITHOUT PRIOR WRITTEN PERMISSION.
ANGEL	±2°	A4	
0~6	±0.10	☉	
6~30	±0.20	DRAW	
30~150	±0.30	CHECK	
GENERAL TOLERANCE UNLESS OTHERWISE NOTED		APPRO	

**CFE** 东莞市川富电子有限公司  
 CFE CORPORATION CO.,LTD.

PART NO.	CM-BP60611-01000H0A
FILE NAME	BP606XX
TITLE	Magnetic Cable Connector

ECN(DCN) NO.	REV	DATE	DESCRIPTION
	A0	2016.07.28	NEW