

Note:<注意>

Materials:<材料>

.Insulator: Black high temperature plastics UL94 V-0

<胶芯: 黑色高温塑胶UL94 V-0>

.Pin: Brass 0.25um Au over Ni

<弹簧针: 黄铜 表面镀金0.25um 底层镀镍>

.Magnet: NdFeB Ni<磁铁: 钕铁硼>

.Shell: SPCC Ni<铁片: 冷轧钢片 表面镀镍>

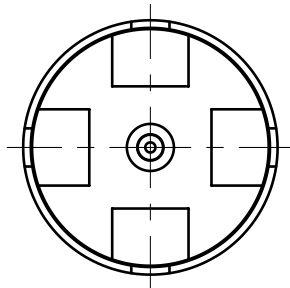
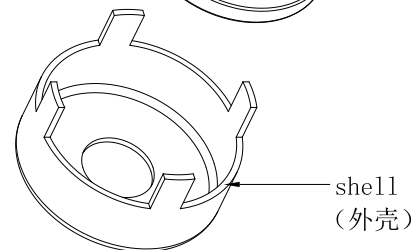
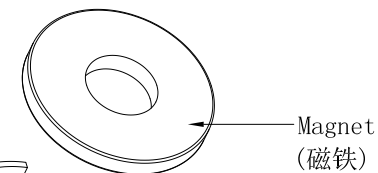
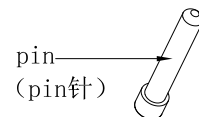
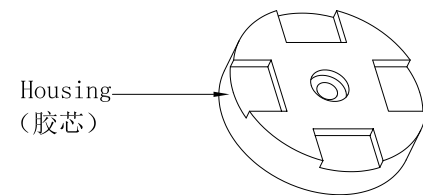
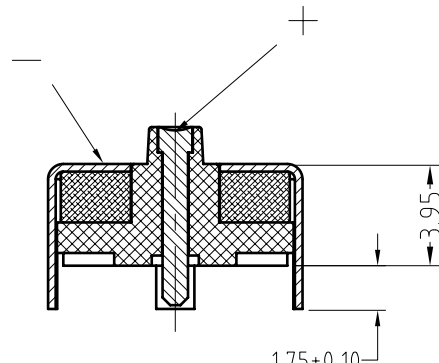
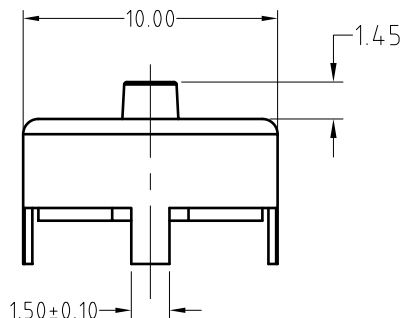
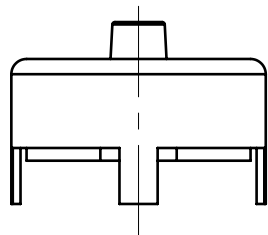
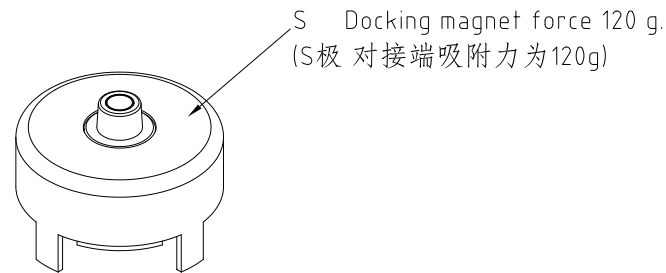
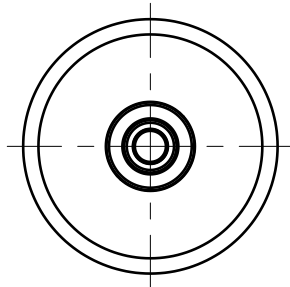
Electrical:<电气性能>

.Rated current & voltage: DC 12V; 3A Max.

<额定电压, 电流: DC 12V, 3A>

.Contact resistance: 50 milliohm Max.

<接触阻抗: 50 milliohm Max.>



| | | | | | | |
|--|--------|---------|--|---------------|---|--------------------|
| SCALE | 10:1 | UNIT:mm | THIS DOCUMENT IS THE SOLE PROPERTY OF CFE CORPORATION CO.,LTD., AND SHOULD NOT BE USED IN WHOLE OR IN PART WITHOUT PRIOR WRITTEN PERMISSION. | SHEET: 1 of 1 | 东莞市川富电子有限公司 CFE CORPORATION CO.,LTD. | |
| ANGEL | ±1° | A4 | | | | |
| | 0~6 | ±0.05 | | | PART NO. | M-BP23501-01000H0B |
| | 6~30 | ±0.10 | | | FILE NAME | BP235XX |
| | 30~150 | ±0.15 | | | TITLE | Pogo pin connector |
| GENERAL TOLERANCE UNLESS OTHERWISE NOTED | | | APPRO | | | |

| | | | |
|--------------|-----|------------|-------------|
| ECN(DCN) NO. | REV | DATE | DESCRIPTION |
| | A0 | 2014.11.14 | NEW |