

Note:<注意>

Materials:<材料>

.Insulator: Black high temperature plastics UL94 V-0

<胶芯: 黑色高温塑胶UL94 V-0>

.Pogo pin: Brass 0.25um Au over Ni

<弹簧针: 黄铜 表面镀金0.25um 底层镀镍>

.Magnet: NdFeB Ni<磁铁: 钕铁硼>

.Shell: SPCC Ni<铁片: 冷轧钢片 表面镀镍>

Mechanical:<机械性能>

.Contact force: 120g±20% at 1.0mm working stroke

<接触弹力: 120g±20g在1.0mm的工作行程>

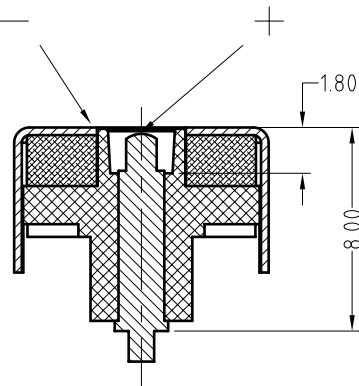
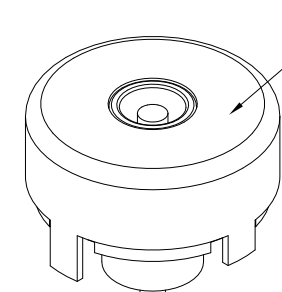
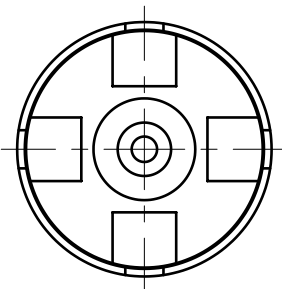
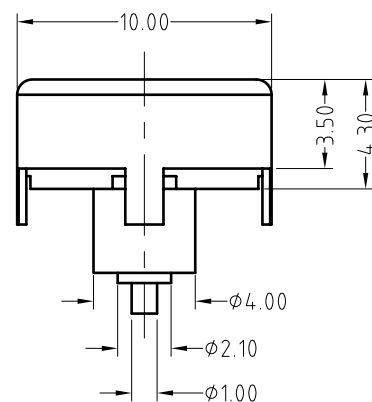
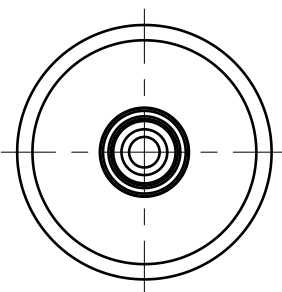
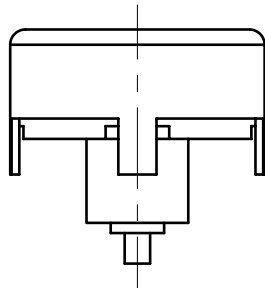
.Life test: 20,000 cycles <寿命: 20000次>

Electrical:<电气性能>

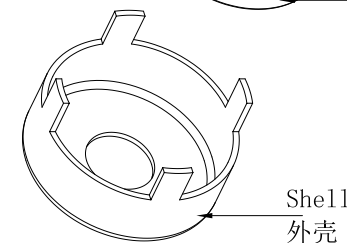
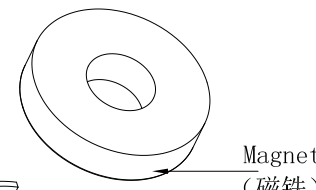
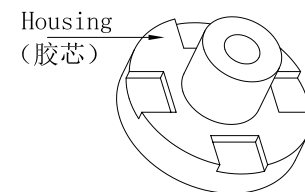
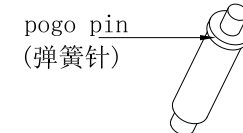
.Rated current & voltage: DC 12V; 3A Max.

<额定电压, 电流: DC 12V, 3A>

.Contact resistance: 50 milliohm Max.<接触阻抗: 50 milliohm Max.>



N Docking magnet force 120 g.
(N极 对接端吸附力为120g)



ECN(DCN) NO.	A0	2014.11.14	NEW
REV	DATE	DESCRIPTION	

SCALE	10:1	UNIT:mm	THIS DOCUMENT IS THE SOLE PROPERTY OF CFE CORPORATION CO.,LTD., AND SHOULD NOT BE USED IN WHOLE OR IN PART WITHOUT PRIOR WRITTEN PERMISSION.
ANGEL	±1°	A4	
0~6	±0.05		SHEET: 1 of 1
6~30	±0.10	DRAW	
30~150	±0.15	CHECK	
GENERAL TOLERANCE UNLESS OTHERWISE NOTED	APPRO		

东莞市川富电子有限公司 CFE CORPORATION CO.,LTD.	
PART NO.	M-BP23511-01000H0A
FILE NAME	BP235XX
TITLE.	Pogo pin connector