

Note:

Materials:

.Insulator: Black high temperature plastics UL94 V-0

.Plunger: Brass 0.1um Au over Ni

.Barrel: Brass 0.2um Au over Ni

.Spring: SUS surface treatment

Mechanical:

.Contact force: 120g±20% at 1.0mm working stroke

.Life test: 20,000 cycles

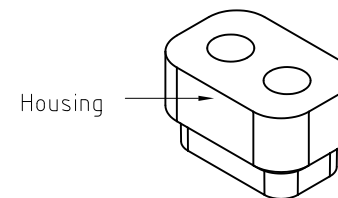
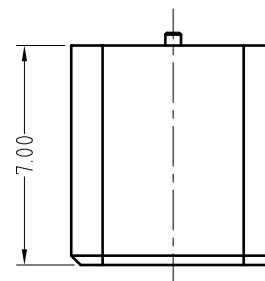
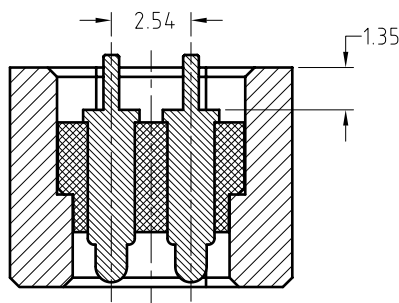
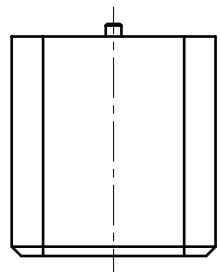
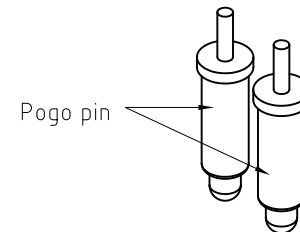
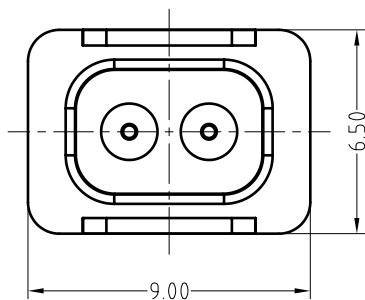
Electrical:

.Rated current & voltage: DC 12V; 5A

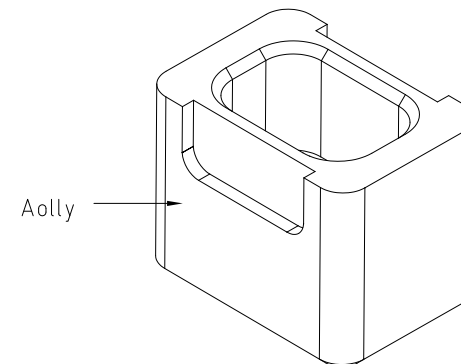
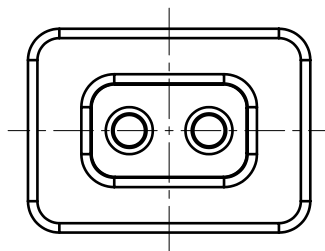
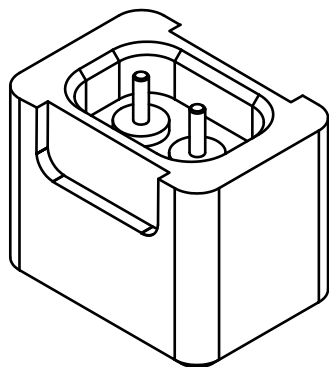
.Contact resistance: 50 milliohm Max.

Cannot be used as the charging,



To ensure the best usage, please operate it based on the working height.  
Based on the engineering drawings, shall not exceed the maximum allowed compression.



BOM		
Part	NO.	Qty
Pogo pin	MP210-1112	2
Housing	H254-02H01	1
Aolly	B240-A1100	1



ECN(DCN) NO.	REV	DATE	DESCRIPTION
	T1	2015.07.16	修改合金的外形，两边槽位修改
	A0	2014.08.16	NEW

SCALE	10:1	UNIT:mm	THIS DOCUMENT IS THE SOLE PROPERTY OF CFE CORPORATION CO.,LTD., AND SHOULD NOT BE USED IN WHOLE OR IN PART WITHOUT PRIOR WRITTEN PERMISSION.	 <b>东莞市川富电子有限公司</b> <b>CFE CORPORATION CO.,LTD.</b>
ANGEL	±1°	A4		
0~6	±0.05		SHEET: 1 of 1	
6~30	±0.10	DRAW		PART NO. M-BP24011-02254H0A
30~150	±0.15	CHECK		FILE NAME BP240XX
GENERAL TOLERANCE UNLESS OTHERWISE NOTED		APPRO		TITLE. Pogo pin connector