

Note:

Materials:

.Insulator: Black ABS (TEMP120°) UL94 V-0

.Pin: Brass 0.25um Au over Ni

.Nickel alloy: Iron-nickel alloy

Electrical:

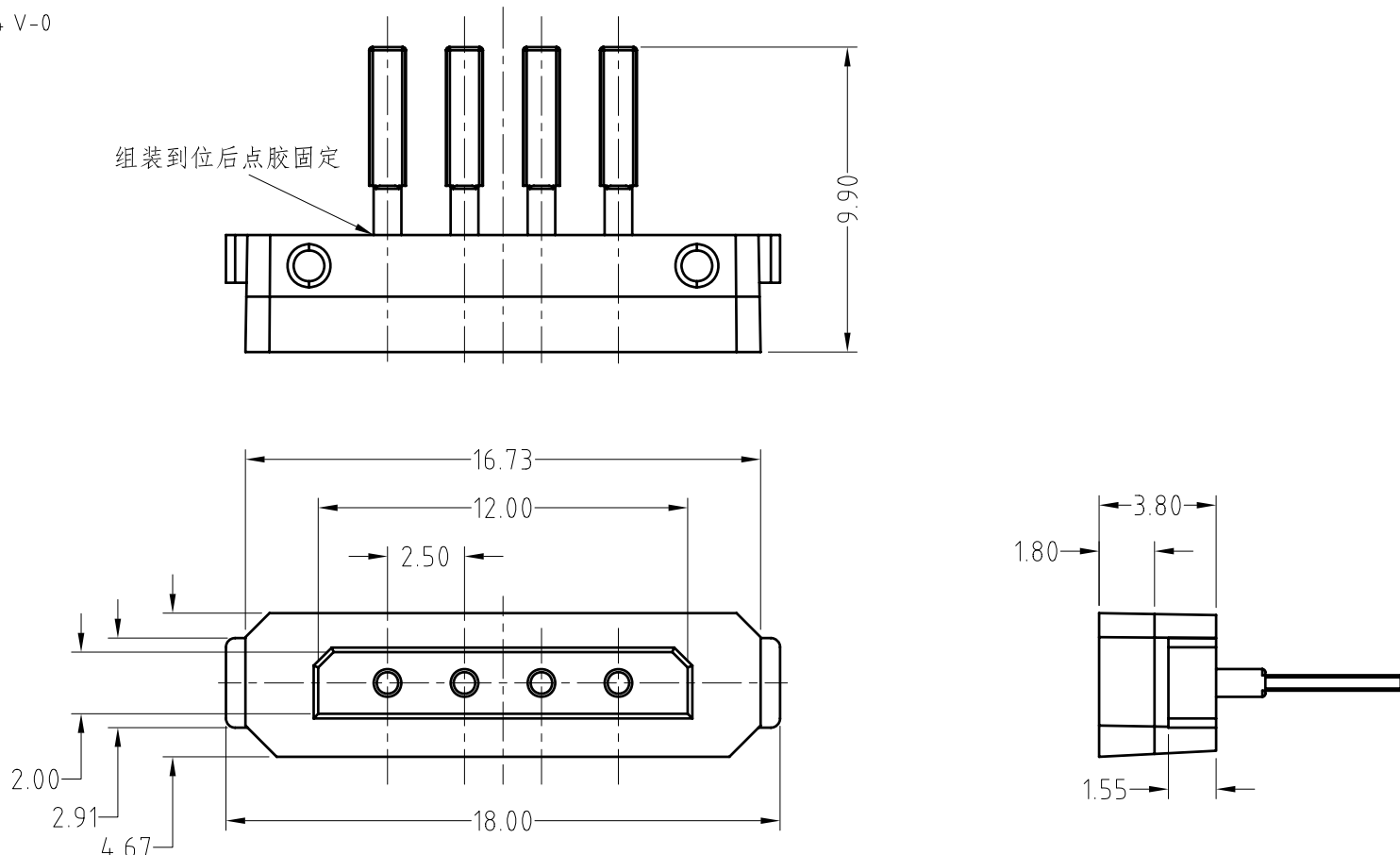
.Rated current & voltage: DC 12V; 1A

.Contact resistance: 50 milliohm Max.




Approve Sign

组装到位后点胶固定



2	Fe Ni Alloy+molding plastic <铁镍合金+成型塑胶 >	BP27002-04250H0B	1
1	Pin plating 0.25um Au <针 电镀金0.25um>	B270-W1010	4
序号 <NO.>	规格 <Specification>	料号 <P/N>	数量 <Qty>

SCALE	10:1	UNIT:mm	THIS DOCUMENT IS THE SOLE PROPERTY OF CFE CORPORATION CO.,LTD., AND SHOULD NOT BE USED IN WHOLE OR IN PART WITHOUT PRIOR WRITTEN PERMISSION.	 东莞市川富电子有限公司 CFE CORPORATION CO.,LTD.		
ANGEL	±1°	A4				
0~6	±0.05		SHEET: 1 of 1		PART NO.	M-BP27002-04250H0B
6~30	±0.10	DRAW			FILE NAME	BP270XX
30~150	±0.15	CHECK			TITLE.	Pogo pin connector
GENERAL TOLERANCE UNLESS OTHERWISE NOTED		APPRO				

ECN(DCN) NO.	REV	DATE	DESCRIPTION
	A0	2015.11.26	NEW