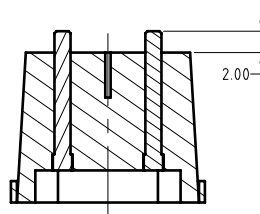
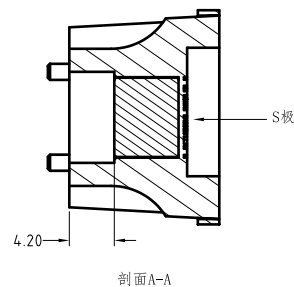
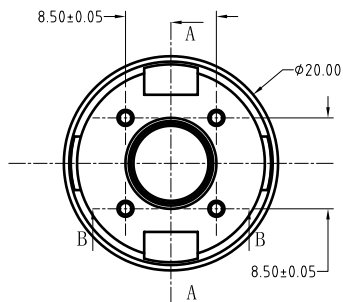
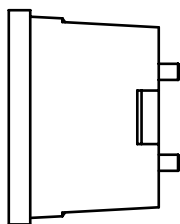
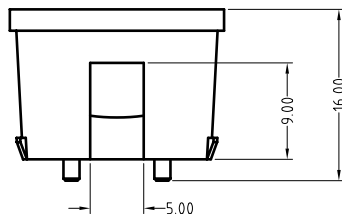
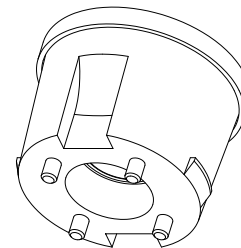


Note: <注意>
 Materials: <材料>
 .Insulator: Black high temperature plastics UL94 V-0
 <胶芯: 黑色耐高温塑料 UL94 V-0>
 .Plunger: Brass 0.75um Au over Ni
 <针轴: 黄铜 表面镀金0.75um, 底层镀镍>
 Mechanical: <机械性能>
 .Contact force: 120g±20% at 7.0mm working height
 <接触弹力: 120g±20g在7.0mm的工作高度>
 .Max. compression: 6.5mm
 <最大压缩: 6.5mm>
 .Life test: 20,000 cycles
 <寿命: 20000次>
 Electrical: <电气性能>
 .Rated current & voltage: DC 12V, 3A
 <额定电压, 电流: DC 12V, 3A>
 .Contact resistance: 50 milliohm Max.
 <接触阻抗: 50 milliohm Max.>
 100% open & short test.
 <100%导通, 短路测试>



Approve Sign



剖面 B-B

SCALE	10:1	UNIT:mm	THIS DOCUMENT IS THE SOLE PROPERTY OF CFE CORPORATION CO.,LTD., AND SHOULD NOT BE USED IN WHOLE OR IN PART WITHOUT PRIOR WRITTEN PERMISSION.	东莞市川富电子有限公司 CFE CORPORATION CO.,LTD.	
ANGEL	±1°	A4			
0~6	±0.10		SHEET: 1 of 1	PART NO.	M-BP42601-04.850H0B
6~30	±0.20	DRAW		FILE NAME	BP426XX
30~150	±0.30	CHECK		TITLE	Pogo pin Connector
GENERAL TOLERANCE UNLESS OTHERWISE NOTED		APPRO			

ECN(DCN) NO.	D0	2015.06.23	NEW
REV	DATE	DESCRIPTION	