

Note:<注意>

Electrical:<电气性能>

.Rated current & voltage: DC 12V, 3A

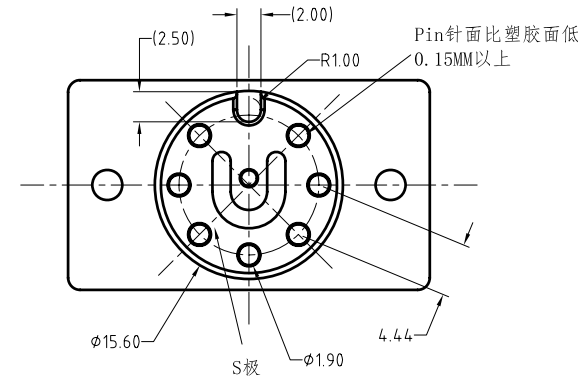
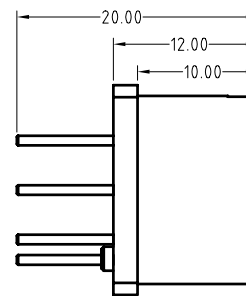
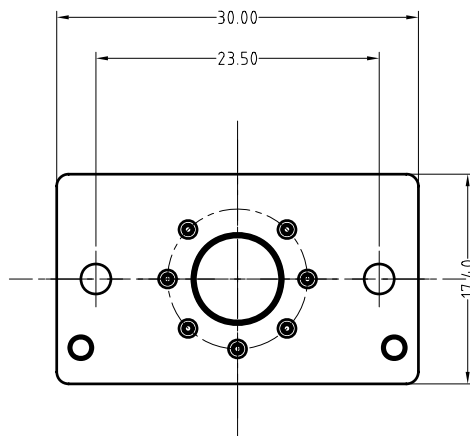
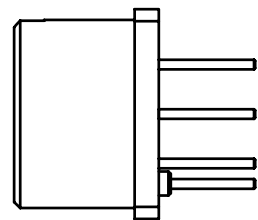
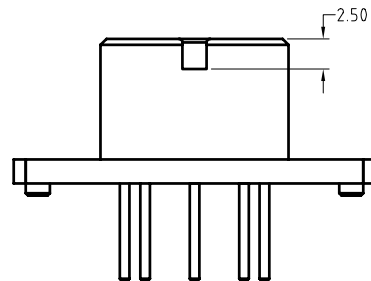
<额定电压, 电流: DC 12V, 3A>

.Contact resistance: 50 milliohm Max.

<接触阻抗: 50 milliohm Max.>

100% open & short test.

<100%导通,短路测试>



3	pin plating 0.75um Au <针 电镀金0.75um>	B597-W1030	7	(A1)
2	N45 NdFeB Magnet plating Ni <N45 钕铁硼磁铁 表面镀镍>	B597-M2100	1	(A1)
1	Black HTN UL94 V-0 <黑色HTN UL94 V-0>	B597-H2002	1	
序号 <NO.>	规格 <Specification>	料号 <P/N>	数量 <Qty>	

_____	A1	2016.11.18	修改电镀膜厚及磁铁等级
_____	A0	2016.08.24	NEW
ECN(DCN) NO.	REV	DATE	DESCRIPTION

SCALE	10:1	UNIT:mm	THIS DOCUMENT IS THE SOLE PROPERTY OF CFE CORPORATION CO.,LTD., AND SHOULD NOT BE USED IN WHOLE OR IN PART WITHOUT PRIOR WRITTEN PERMISSION.	CFE 东莞市川富电子有限公司 CFE CORPORATION CO.,LTD.
ANGEL	±2°	A4		
0~6	±0.10		SHEET: 1 of 1	
6~30	±0.20	DRAW		PART NO. M-BP59791-07444H0B
30~150	±0.30	CHECK		FILE NAME BP597XX
GENERAL TOLERANCE UNLESS OTHERWISE NOTED	APPRO			TITLE. Pogo pin Connector