

Note:

Materials:

.Insulator: Black high temperature plastics UL94 V-0

.Pogo pin: Brass 0.25um Au contact area

.Magnet: NdFeB Ni

Mechanical:

.Contact force: 70g±20g at 1.0mm working stroke

.Full stroke: 1.40mm

.Life test: 50,000 cycles

Electrical:

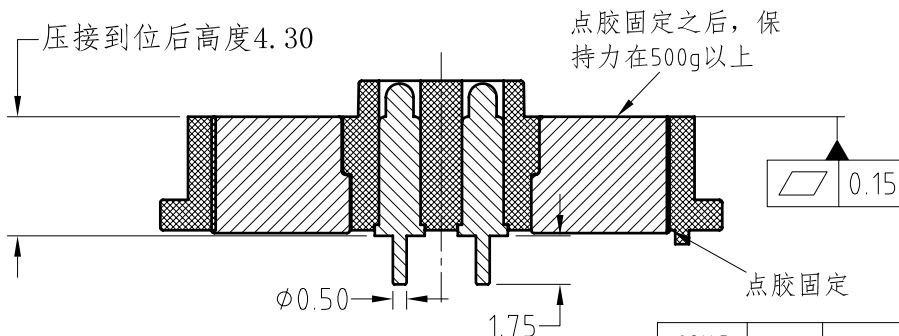
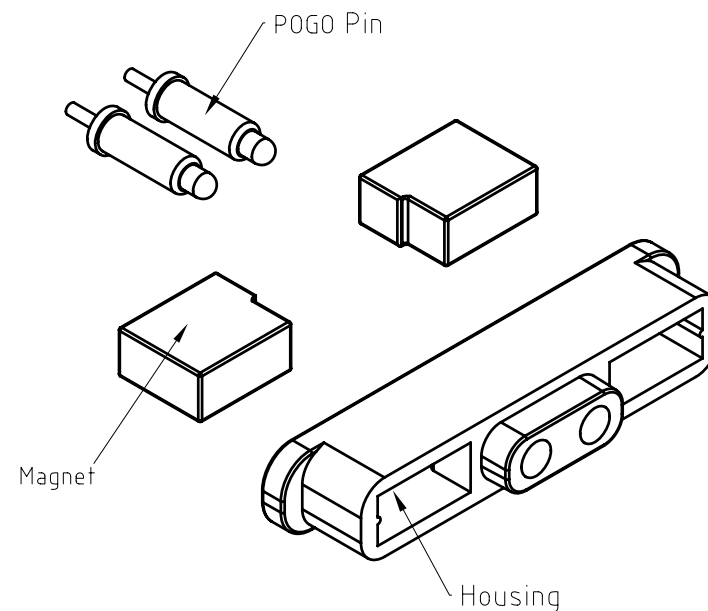
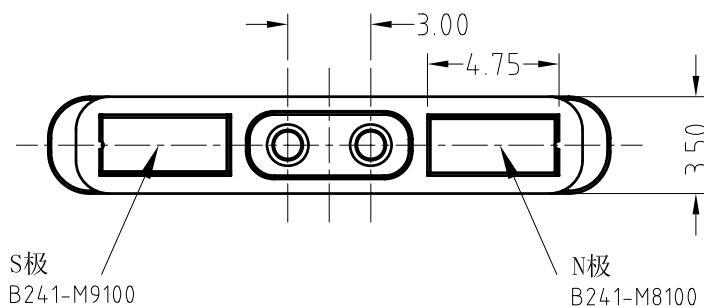
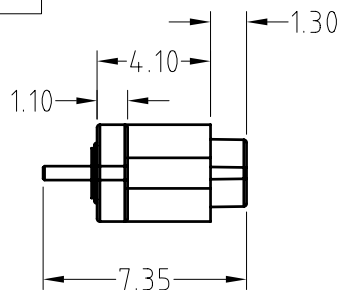
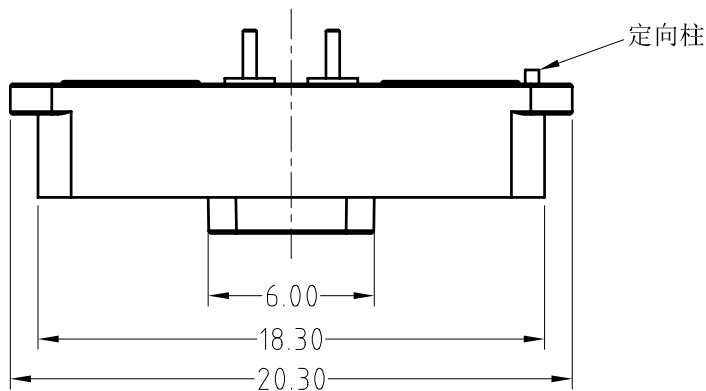
.Rated voltage: DC12V; 1A

.Contact resistance: 50 milliohm Max.

To ensure the best usage, please operate it based on the working height.  
Based on the engineering drawings, shall not exceed the maximum allowed compression.



Approve Sign



BOM		
Part	NO.	Qty
Magnet	B241-M8100	1
Magnet	B241-M9100	1
Housing	H300-02H01	1
Pogo pin	MP210-1112	2

SCALE	10:1	UNIT:mm	THIS DOCUMENT IS THE SOLE PROPERTY OF CFE CORPORATION CO.,LTD., AND SHOULD NOT BE USED IN WHOLE OR IN PART WITHOUT PRIOR WRITTEN PERMISSION.
ANGEL	±1°	A4	
0~6	±0.05		
6~30	±0.10	DRAW	
30~150	±0.15	CHECK	
GENERAL TOLERANCE UNLESS OTHERWISE NOTED		APPRO	

**CFE** 东莞市川富电子有限公司  
CFE CORPORATION CO.,LTD.

PART NO. M-BP62211-02300H0A

FILE NAME BP622XX

TITLE. Pogo pin connector

ECN(DCN) NO.	A0	2016.10.12	NEW
REV		DATE	DESCRIPTION