

Electrical performance: <电气性能>
 .Rated current & voltage: DC 12V; 3A
 <额定电压, 电流: DC 12V, 3A>
 .Single pin Contact resistance: 30 milliohm Max.
 <单针接触阻抗: 30 milliohm Max.>

Environment performance: <环境性能>
 .Operating Temp: -30 to +60°C
 <工作温度: -30 to +60°C>

"*Marked is Critical dimension," (cpk) "Marked is cpk dimension, they must be checked by QC."
 <标示 "*" 是重点尺寸, 标示 "(cpk)" 是cpk尺寸, 他们必须被QC检查。
 First Part Inspections are marked by ball marker "○"
 用球标标示的是首件尺寸 "○"

.Salt spray test: 5% salt solution, no rust for 24 hours
 <盐雾测试: 5%盐溶液, 24小时无锈蚀>

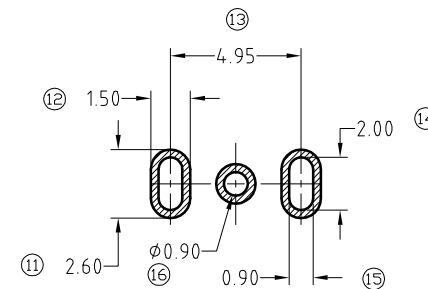
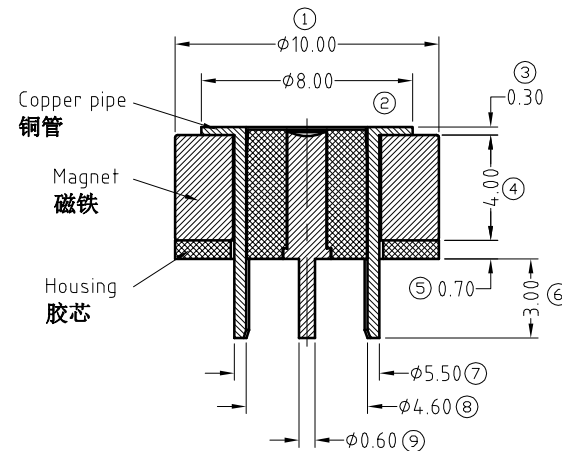
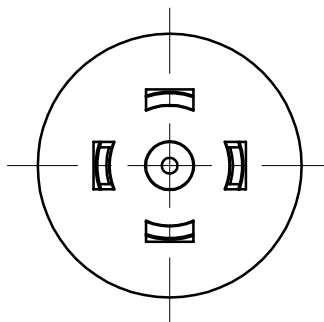
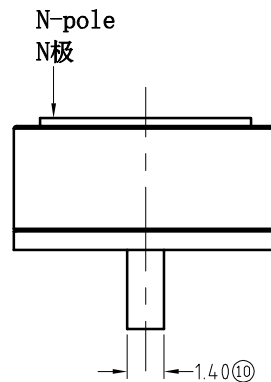
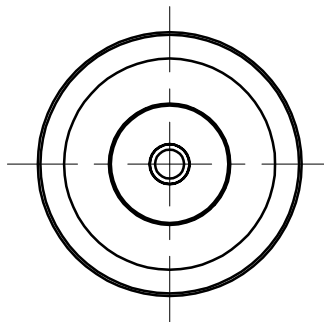
.Critical dimension: ★
 <重点尺寸: ★>

.The product must be checked for use by male and female
 <产品必须做公母对接使用检验>

.The magnetic adsorption force of male and female is 500g Min.
 <公母吸附力为500g最小>

.RoHS compliant product
 <符合RoHS产品要求>

.TSCA compliant product
 <符合TSCA产品要求>



Recommended pcb layout
 layout tolerance: ±0.05mm
 PCB推荐设计, 设计公差: ±0.05mm

6	CFE标准包装		
5	透明, 乐赛尔67胶水	LSR-67	0.025g
4	Pin plating 0.25um Au <弹簧针 电镀金0.25um>	B142-W3010	1
3	Copper pipe Brass C3604 plating Ni <铜套 C3604 表面镀镍>	B142-W2100	1
2	N52 NdFeB Magnet plating Ni-Cu-Ni <N52 钕铁硼磁铁 表面镀镍铜镀>	B142-M7701	1
1	Black 3C HTN UL94 V-0 <黑色 3C HTN UL94 V-0>	01000-H03	1
序号 <NO.>	规格 <Specification>	料号 <P/N>	数量 <Qty>
2Pin black magnetic suction connector 2Pin 黑色 磁吸式连接器			

A1	2021.03.12	With the optimization of the process, it is changed to non-magnetic magnet and then magnetized after assembly 配合制程优化, 改为无磁性磁铁, 组装后再充磁
A0	2020.05.27	New Release新发行
REV	DATE日期	DESCRIPTION描述

SCALE	NA	UNIT:mm	THIS DOCUMENT IS THE SOLE PROPERTY OF CFE CORPORATION CO.,LTD., AND SHOULD NOT BE USED IN WHOLE OR IN PART WITHOUT PRIOR WRITTEN PERMISSION.		CFE® 弹簧针磁吸连接器解决方案商 Pogo Pin Magnetic Connector Solutions	
ANGLE	±1°	A4	SHEET: 1 of 1			
>0~6	±0.10				PART NO.	MFA000207-01A1A0
>6~30	±0.20	DRAW	Miya		FILE NAME	BP142XX
>30	±0.30	CHECK	Michael		TITLE.	Magent connector/磁吸连接器
GENERAL TOLERANCE UNLESS OTHERWISE NOTED		APPRO	Army			

Approve Signature

东莞市川富电子有限公司
DONGGUAN CFE ELECTRONIC CO.,LTD

文件受控章
DOCUMENT CONTROLLED