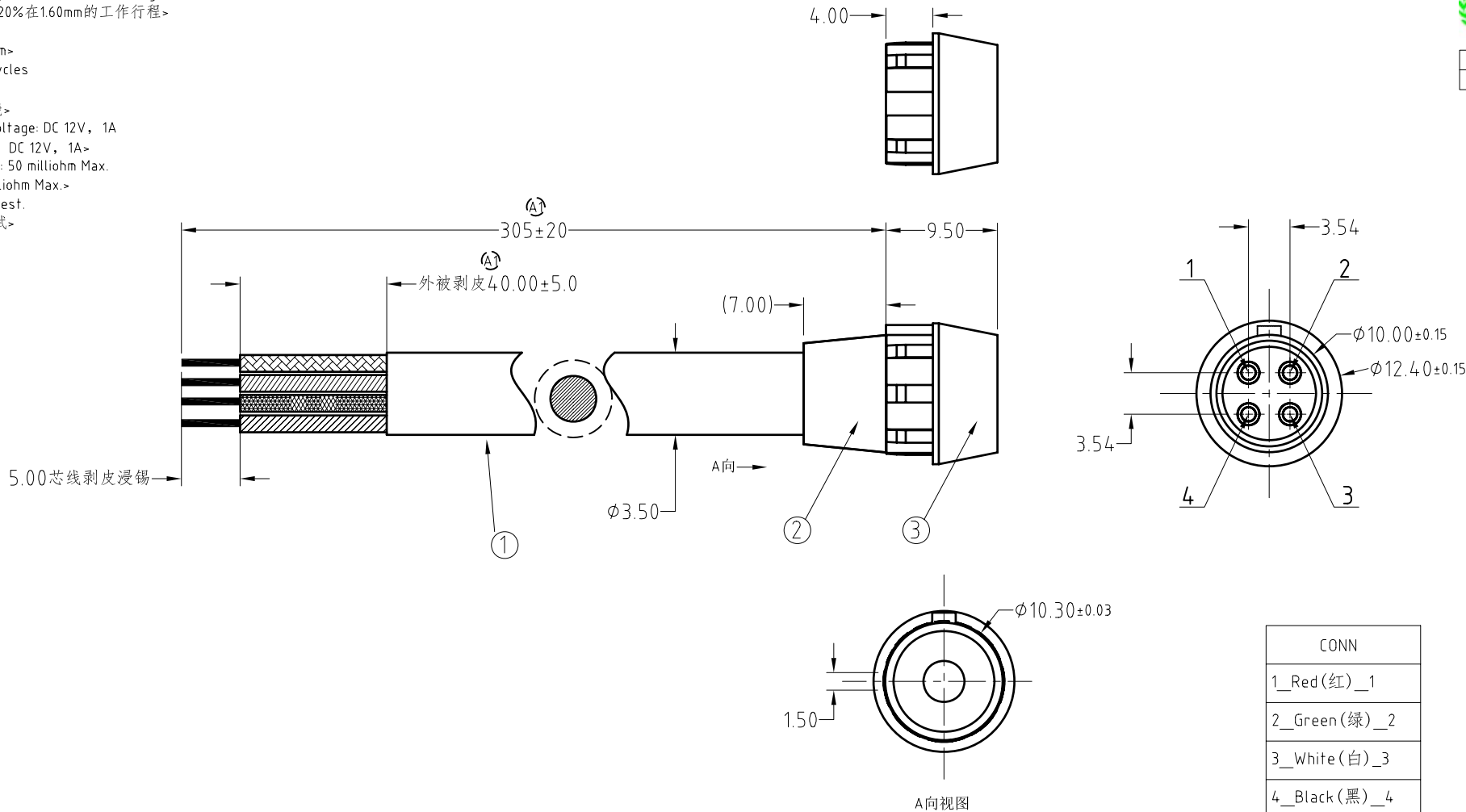


Note:<注意>  
 Mechanical:<机械性能>  
 .Contact force: 130g±20% at 1.60mm working stroke  
 <接触弹力: 130g±20%在1.60mm的工作行程>  
 .Full stroke:2.00mm  
 <最大行程: 2.00mm>  
 .Life test: 20,000 cycles  
 <寿命: 20000次>  
 Electrical:<电气性能>  
 .Rated current & voltage: DC 12V, 1A  
 <额定电压, 电流: DC 12V, 1A>  
 .Contact resistance: 50 milliohm Max.  
 <接触阻抗: 50 milliohm Max.>  
 100% open & short test.  
 <100%导通,短路测试>



3	Pogo pin Connector 弹簧针接头>	M-BP55911-04354H0A	1
2	Black PVC 45P 4g <黑色 PVC 45P 4克>	B000-P0002	1
1	OD3.5 28AWG 4C Black Jacket PVC 55P 325mm <OD3.5 28AWG 4芯 黑色外被PVC 55P 325mm>	X004-0207-XXXX	1
序号 <NO.>	规格 <Specification>	料号 <P/N>	数量 <Qty>

SCALE	10:1	UNIT:mm	THIS DOCUMENT IS THE SOLE PROPERTY OF CFE CORPORATION CO.,LTD., AND SHOULD NOT BE USED IN WHOLE OR IN PART WITHOUT PRIOR WRITTEN PERMISSION.
ANGEL	±2°	A4	
0~6	±0.10		SHEET: 1 of 1
6~30	±0.20	DRAW	
30~150	±0.30	CHECK	
GENERAL TOLERANCE UNLESS OTHERWISE NOTED		APPRO	

东莞市川富电子有限公司 CFE CORPORATION CO.,LTD.		PART NO.	CM-BP55911-04354H0A
		FILE NAME	BP559XX
TITLE.	Pogo pin Connector		

	A1	2017.06.05	线长减短10mm
	A0	2016.05.24	NEW
ECN(DCN) NO.	REV	DATE	DESCRIPTION