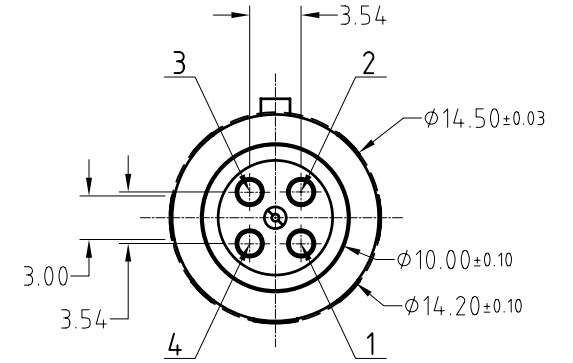
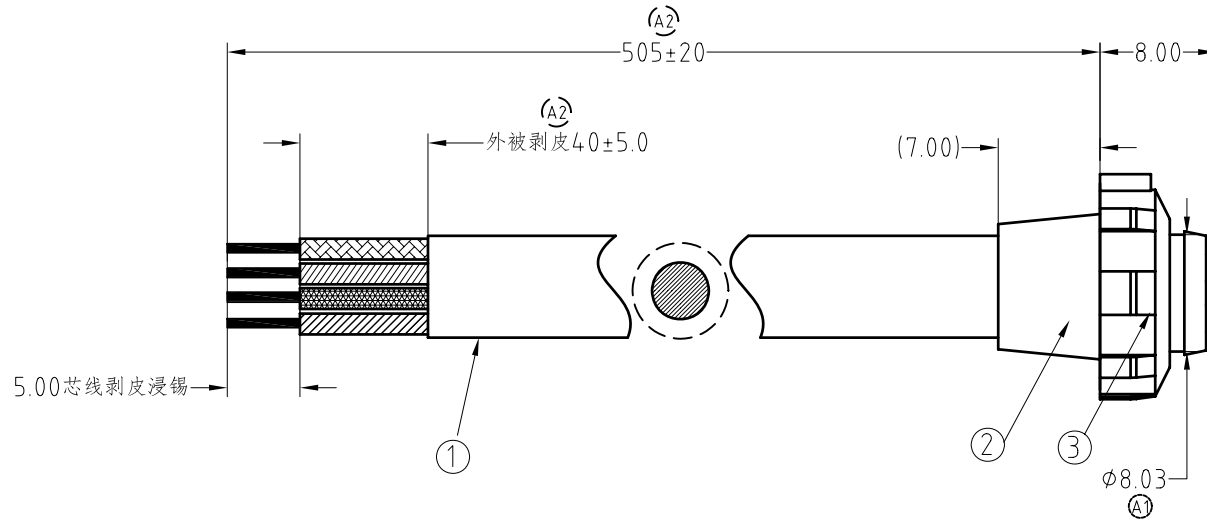
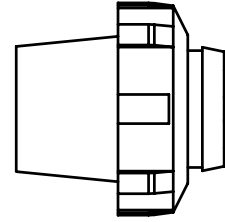


Note: (注意)  
 Electrical: (电气性能)  
 Rated current & voltage: DC 12V, 1A  
 (额定电压, 电流: DC 12V, 1A)  
 Contact resistance: 50 milliohm Max.  
 (接触阻抗: 50 milliohm Max.)  
 100% open & short test.  
 (100%导通, 短路测试)



CONN
1_Red(红)_1
2_Green(绿)_2
3_White(白)_3
4_Black(黑)_4

3	4pin Connector <4pin接头>	M-BP55921-04354H0B	1
2	Black PVC 45P 4g <黑色 PVC 45P 4克>	B000-P0002	1
1	OD3.5 28AWG 4C Black Jacket PVC 55P 525mm <OD3.5 28AWG 4芯 黑色外被PVC 55P 525mm>	X004-0207-XXXX	1
序号 <NO.>	规格 <Specification>	料号 <P/N>	数量 <Qty>

	A2	2017.06.16	线长减短10mm
	A1	2017.04.08	去掉橡胶圈
	A0	2016.05.24	NEW
ECN(DCN) NO.	REV	DATE	DESCRIPTION

SCALE	10:1	UNIT:mm	THIS DOCUMENT IS THE SOLE PROPERTY OF CFE CORPORATION CO.,LTD., AND SHOULD NOT BE USED IN WHOLE OR IN PART WITHOUT PRIOR WRITTEN PERMISSION.
ANGEL	±2°	A4	
0~6	±0.10		SHEET: 1 of 1
6~30	±0.20	DRAW	
30~150	±0.30	CHECK	
GENERAL TOLERANCE UNLESS OTHERWISE NOTED		APPRO	



PART NO.	CM-BP55921-04354H0B
FILE NAME	BP559XX
TITLE.	Pogo pin Connector