

Note:

Materials:

Insulator: Black high temperature plastics UI94 V-0

Pin: Brass 0.125um Au over Ni

Magnet: N48 NdFeB NI-Cu-NI

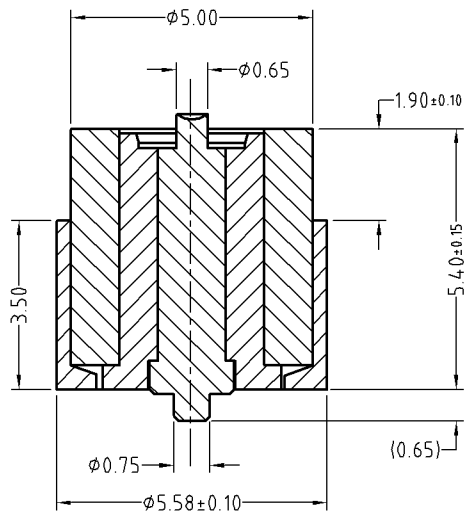
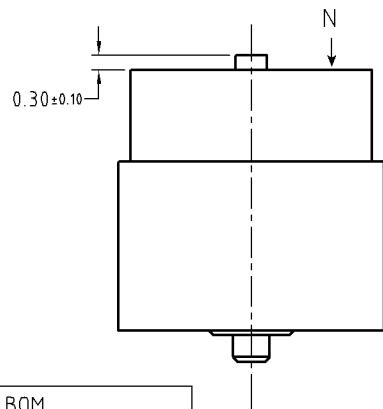
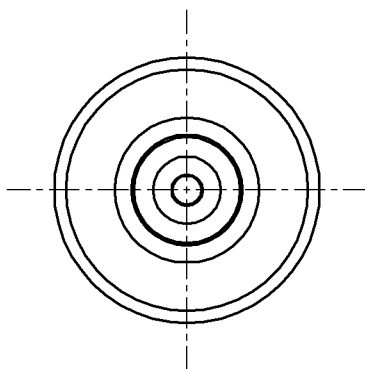
Copper: Brass C3602 Sn **A2**

Electrical:

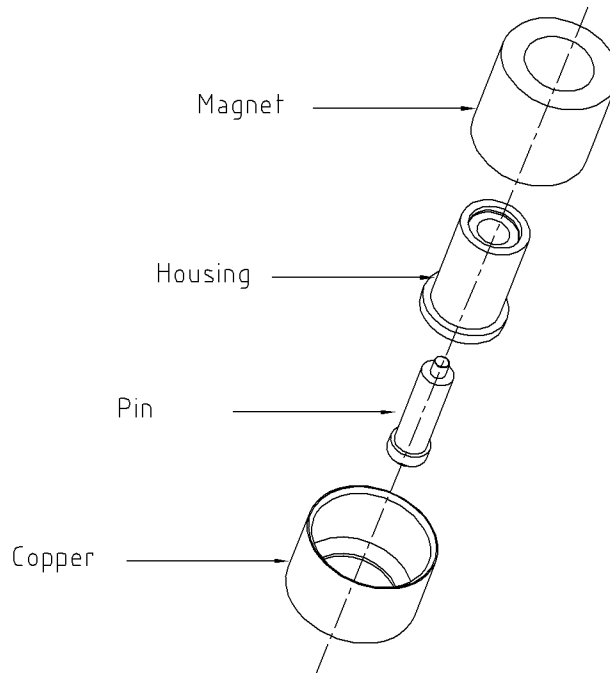
Rated current & voltage: DC 12V; 2A

Contact resistance: 50 milliohm Max.

To ensure the best usage, please operate it based on the working height.
Based on the engineering drawings, shall not exceed the maximum allowed compression.



剖面 A-A



BOM		
Part	NO.	Qty
Pin	B179-W1005	1
Housing	H000-01H05	1
Magnet	B502-M1100	1
Copper	B502-C1100	1

ECN(DCN) NO.	REV	DATE	DESCRIPTION
	T3	2016.09.05	修改电流要求
	A2	2016.08.26	修改表面处理方式及尺寸
	A1	2016.05.19	修改材质
	A0	2016.03.15	NEW

SCALE	10:1	UNIT:mm	THIS DOCUMENT IS THE SOLE PROPERTY OF CFE CORPORATION CO.,LTD., AND SHOULD NOT BE USED IN WHOLE OR IN PART WITHOUT PRIOR WRITTEN PERMISSION.	
ANGEL	±1°	A4	SHEET: 1 of 1	
0~6	±0.05		PART NO.	M-BP50201-01000H0A
6~30	±0.10	DRAW	FILE NAME	BP502XX
30~150	±0.15	CHECK	TITLE	Pogo pin connector
GENERAL TOLERANCE UNLESS OTHERWISE NOTED		APPRO		

