

Note:<注意>

Materials:<材质>

.Insulator: Black high temperature plastics UI94 V-0

< 胶芯:黑色高温塑料UI94 V-0>

.Pin: Brass 0.25um Au over Ni

< 针轴: 黄铜表面镀金0.25um, 底层镀镍>

.Copper pipe: Brass plating Ni

< 针管: 表面镀镍>

.Magnet: NdFeB

< 磁铁: 钕铁硼>

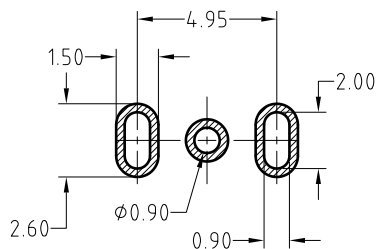
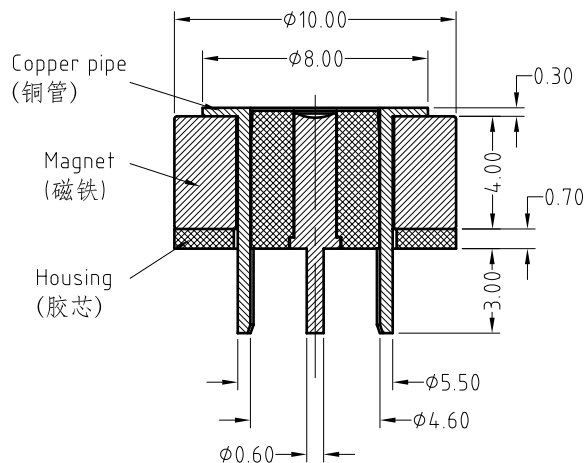
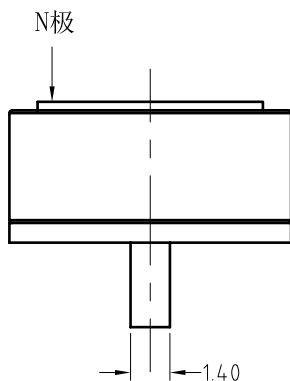
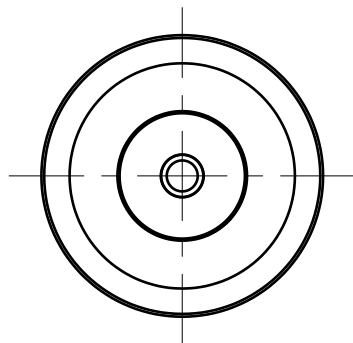
Electrical: <电气性能>

.Rated current & voltage: DC 24V; 5A MAX

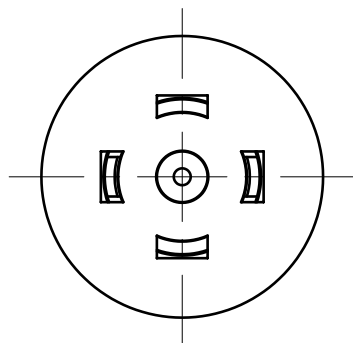
< 额定电压, 电流: DC 24V, 5A最大>

.Contact resistance: 50 milliohm Max.

< 接触阻抗: 50 milliohm 最大.>



Recommended pcb layout
layout tolerance: ±0.05mm



SCALE	10:1	UNIT:mm	THIS DOCUMENT IS THE SOLE PROPERTY OF CFE CORPORATION CO.,LTD., AND SHOULD NOT BE USED IN WHOLE OR IN PART WITHOUT PRIOR WRITTEN PERMISSION.	
ANGEL	±1°	A4	SHEET: 1 of 1	
0~6	±0.05		PART NO.	M-BP14.202-01000H0C
6~30	±0.10	DRAW	FILE NAME	BP142XX
30~150	±0.15	CHECK	TITLE	Pogo pin connector
GENERAL TOLERANCE UNLESS OTHERWISE NOTED		APPRO		



ECN(DCN) NO.	A0	2014.11.18	NEW
REV	DATE	DESCRIPTION	