

Note:<注意>

Mechanical:<机械性能>

.Contact force: 70g±20g at 1.0mm working stroke

<接触弹力: 70g±20g在1.0mm的工作行程>

.Full stroke: 1.40mm

<最大行程: 1.40mm>

.Life test: 50,000 cycles

<寿命: 50000次>

Electrical:<电气性能>

.Rated current & voltage: DC 12V, 2A Max.

<额定电压, 电流: DC 12V, 2A>

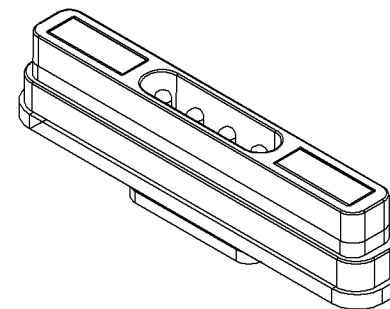
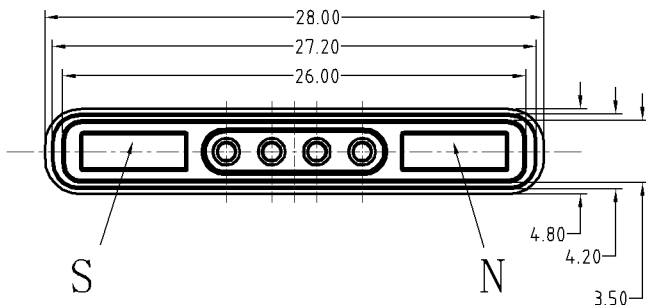
.Contact resistance: 50 milliohm Max.

<接触阻抗: 50 milliohm Max.>

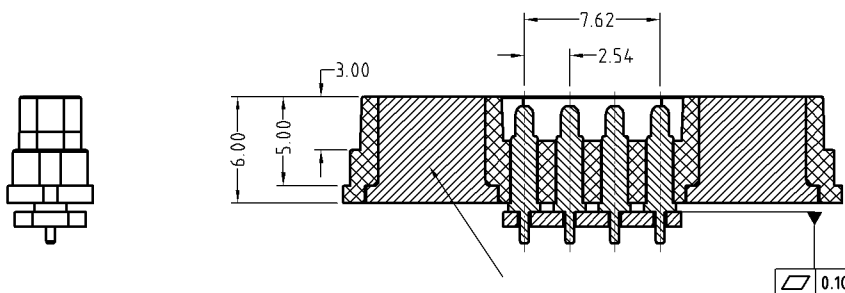


Approve Sign

A

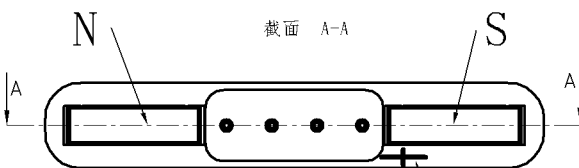


B

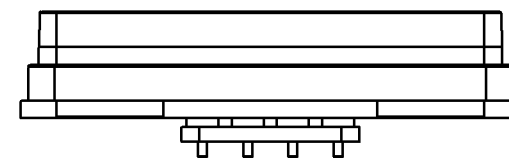
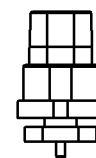


磁铁点胶固定, 不会被吸附出来

截面 A-A



注意磁铁方向

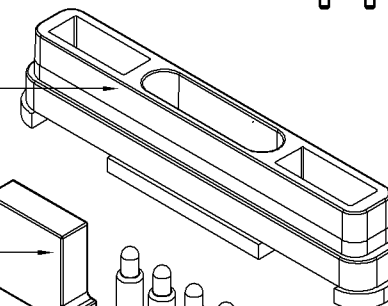


Housing

Magnet

PogoPin

PCB



C

4	PCB Polyester fiber board <PCB 聚酯纤维板>	B701-F4104	1
4	Pogo pin plating 0.125um Au <弹簧针 电镀金0.125um>	MP210-2111	4
3	N52 NdFeB Magnet plating Ni-Cu-Ni <N52 钕铁硼磁铁 表面镀镍铜镍>	B647-M1101	1
2	N52 NdFeB Magnet plating Ni-Cu-Ni <N52 钕铁硼磁铁 表面镀镍铜镍>	B647-M2102	1
1	Black HTN UL94 V-0 <黑色 IITX UL94 V-0>	B701-H4004	1
序号 <NO.>	规格 <Specification>	料号 <P/N>	数量 <Qty>

D

_____	D0	2016.05.19	NEW
ECN(DCN) NO.	REV	DATE	DESCRIPTION

SCALE	10:1	UNIT:mm	THIS DOCUMENT IS THE SOLE PROPERTY OF CFE CORPORATION CO.,LTD., AND SHOULD NOT BE USED IN WHOLE OR IN PART WITHOUT PRIOR WRITTEN PERMISSION.	
ANGEL	±2°	A4	SHEET: 1 of 1	
0~6	±0.10		PART NO.	M-BP70101-04254A0B
6~30	±0.20	DRAW	FILE NAME	BP241XX
30~150	±0.30	CHECK	TITLE	Pogo pin Connector
GENERAL TOLERANCE UNLESS OTHERWISE NOTED		APPRO		

CFE 东莞市川富电子有限公司
CFE CORPORATION CO.,LTD.