

Note:<注意>

Mechanical:<机械性能>

.Contact force: 20g±15g at 0.6mm working stroke

<接触弹力: 20g±15g在0.6mm的工作行程>

.Full stroke:1.40mm

<最大行程: 1.40mm>

Electrical:<电气性能>

.Rated current & voltage: DC 12V, 1A

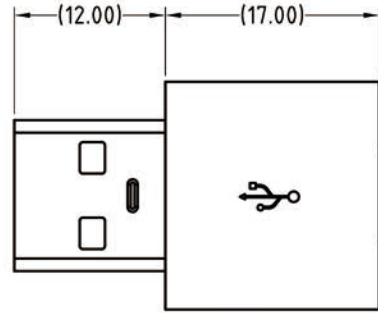
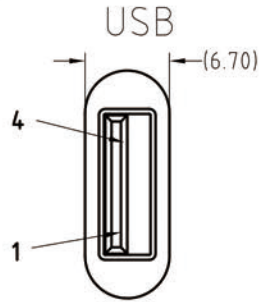
<额定电压, 电流: DC 12V, 1A>

.Contact resistance: 50 milliohm Max.

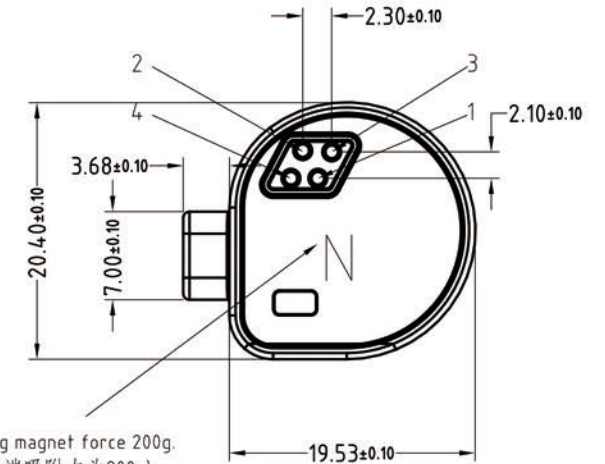
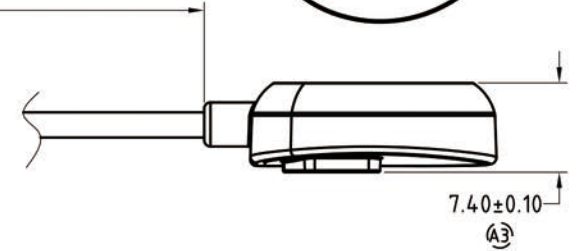
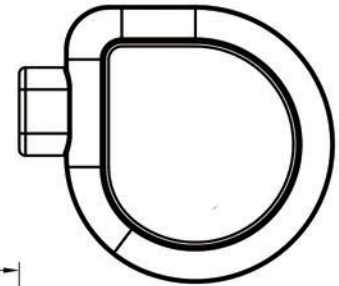
<接触阻抗: 50 milliohm 最大>

100% open & short test.

<100%导通,短路测试>



Pogo pin conn



USB→Pogo pin conn		
1	Vcc	1
2	D-	2
3	D+	3
4	GND	4

N Docking magnet force 200g.
(N极 对接端吸附力为200g)

ECN(DCN) NO.	REV	DATE	DESCRIPTION
	A3	2015.10.13	修改BOM表(线材外被由TPE更改为PVC)
	A2	2015.08.14	增加小台阶
	A1	2015.08.05	减小弹力, 增加磁铁等级
	A0	2015.05.22	NEW

SCALE	10:1	UNIT:mm	THIS DOCUMENT IS THE SOLE PROPERTY OF CFE CORPORATION CO.,LTD., AND SHOULD NOT BE USED IN WHOLE OR IN PART WITHOUT PRIOR WRITTEN PERMISSION.	东莞市川富电子有限公司 CFE CORPORATION CO.,LTD.	
ANGEL	±1°	A4			
0~6	±0.05		SHEET: 1 of 1	PART NO.	CM-BP36311-04250H0C
6~30	±0.10	DRAW		FILE NAME	BP363XX
30~150	±0.15	CHECK		TITLE	Magnetic Cable Connector
GENERAL TOLERANCE UNLESS OTHERWISE NOTED		APPRO			