

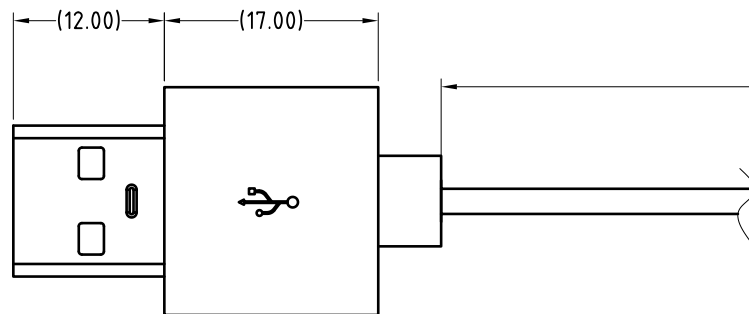
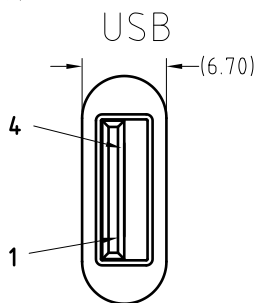
1

2

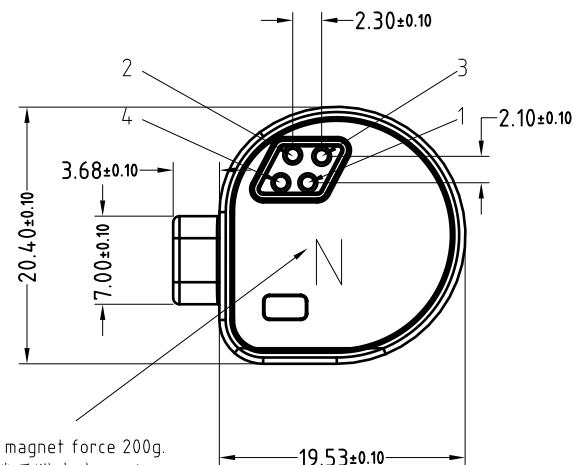
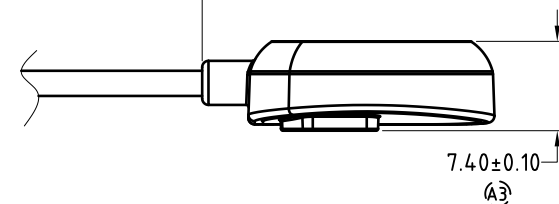
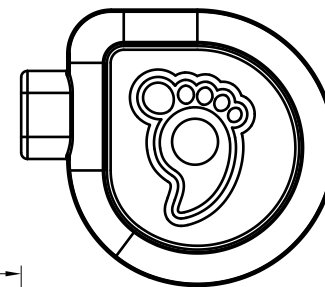
3

4

Note:<注意>  
 Mechanical:<机械性能>  
 .Contact force: 20g±15g at 0.6mm working stroke  
 <接触弹力: 20g±15g在0.6mm的工作行程>  
 .Full stroke:1.40mm  
 <最大行程: 1.40mm>  
 Electrical:<电气性能>  
 .Rated current & voltage: DC 12V, 1A  
 <额定电压, 电流: DC 12V, 1A>  
 .Contact resistance: 50 milliohm Max.  
 <接触阻抗: 50 milliohm 最大>  
 100% open & short test.  
 <100%导通,短路测试>



Pogo pin conn



USB→Pogo pin conn			
1	Vcc	1	
2	D-	2	
3	D+	3	
4	GND	4	

D

	A3	2015.10.13	修改BOM表(线材外被由TPE更改为PVC)
	A2	2015.08.14	增加小台阶
	A1	2015.08.05	减小弹力, 增加磁铁等级
	A0	2015.05.22	NEW
ECN(DCN) NO.	REV	DATE	DESCRIPTION

SCALE	10:1	UNIT:mm	THIS DOCUMENT IS THE SOLE PROPERTY OF CFE CORPORATION CO.,LTD., AND SHOULD NOT BE USED IN WHOLE OR IN PART WITHOUT PRIOR WRITTEN PERMISSION.	
ANGEL	±1°	A4	SHEET: 1 of 1	
0~6	±0.05		PART NO.	CM-BP36311-04.250H0C
6~30	±0.10	DRAW	FILE NAME	BP363XX
30~150	±0.15	CHECK	TITLE	Magnetic Cable Connector
GENERAL TOLERANCE UNLESS OTHERWISE NOTED		APPRO		

