

Note:<注意>

Mechanical:<机械性能>

.Contact force: 40g±20g at 1.0mm working stroke

<接触弹力: 40g±20g在1.0mm的工作行程>

.Life test: 20,000 cycles

<寿命: 20000次>

Electrical:<电气性能>

.Rated current & voltage: DC 12V, 1A

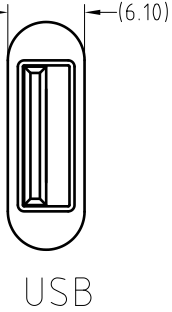
<额定电压, 电流: DC 12V, 1A>

.Contact resistance: 50 milliohm Max.

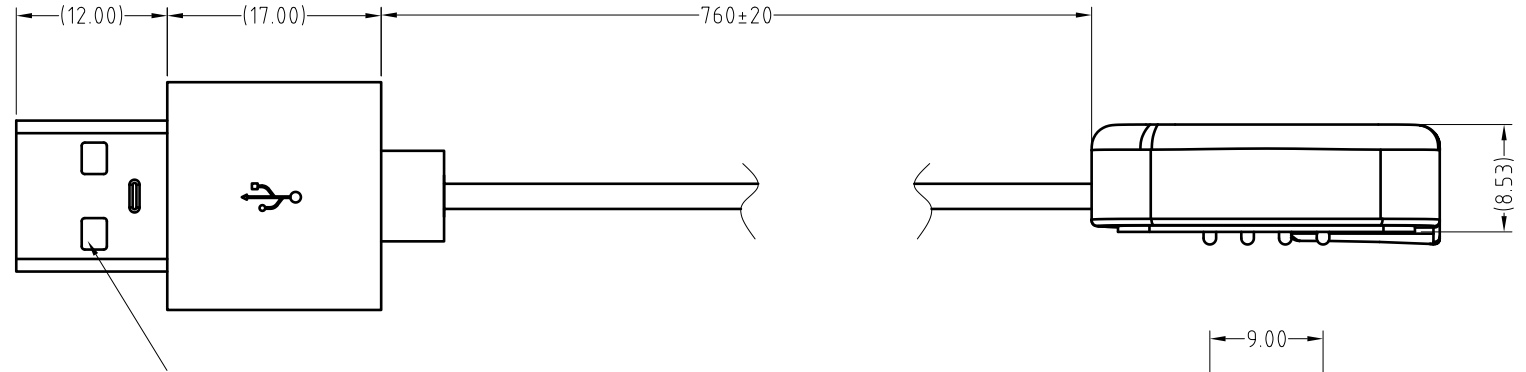
<接触阻抗: 50 milliohm 最大.>

100% open & short test.

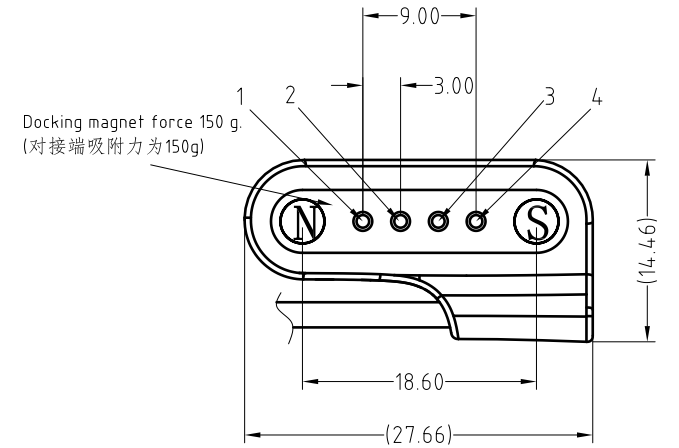
<100%导通,短路测试>



USB



Pogo pin conn



Docking magnet force 150 g.  
(对接端吸附力为150g)

| USB→Pogo pin conn |  |
|-------------------|--|
| 1_ Vcc _1         |  |
| 2_ D- _2          |  |
| 3_ D+ _3          |  |
| 4_ GND _4         |  |

|  |       |         |  |   |                    |                     |
|--|-------|---------|--|---|--------------------|---------------------|
| SCALE                                    | 10:1  | UNIT:mm | THIS DOCUMENT IS THE SOLE PROPERTY OF CFE CORPORATION CO.,LTD., AND SHOULD NOT BE USED IN WHOLE OR IN PART WITHOUT PRIOR WRITTEN PERMISSION. | 东莞市川富电子有限公司<br>CFE CORPORATION CO.,LTD. |                    |                     |
| ANGEL                                    | ±1°   | A4      |  |   |                    |                     |
| 0~6                                      | ±0.05 |         |  | SHEET: 1 of 1                           | PART NO.           | CM-BP36611-04300H0C |
| 6~30                                     | ±0.10 | DRAW    |  |   | FILE NAME          | BP366XX             |
| 30~150                                   | ±0.15 | CHECK   |  | TITLE.                                  | Pogo pin connector |                     |
| GENERAL TOLERANCE UNLESS OTHERWISE NOTED |       |         | APPRO  |   |                    |                     |

|              |     |           |             |
|--------------|-----|-----------|-------------|
| _____        | A0  | 2015.4.22 | NEW         |
| ECN(DCN) NO. | REV | DATE      | DESCRIPTION |