

1

2

3

4

Note:<注意>

Mechanical:<机械性能>

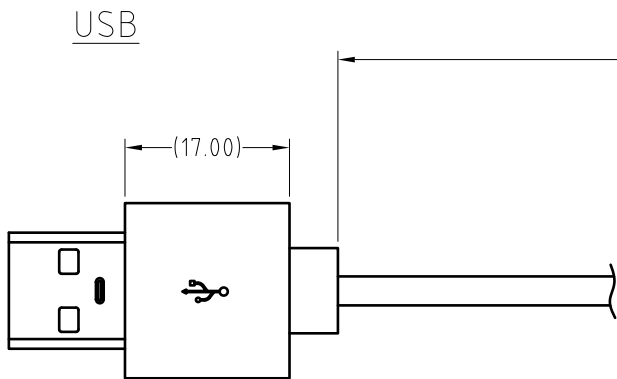
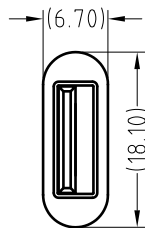
.Contact force: 30g±15g at 0.6mm working stroke  
 <接触弹力: 30g±15g在0.6mm的工作行程>  
 .Full stroke: 0.70mm  
 <最大行程: 0.70mm>  
 .Life test: 50,000 cycles  
 <寿命: 50000次>

Electrical:<电气性能>

.Rated current & voltage: DC 12V, 1A Max.  
 <额定电压, 电流: DC 12V, 1A>  
 .Contact resistance: 50 milliohm Max.  
 <接触阻抗: 50 milliohm Max.>  
 100% open & short test.  
 <100%导通,短路测试>

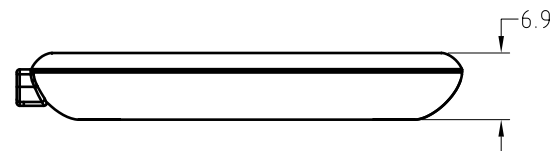
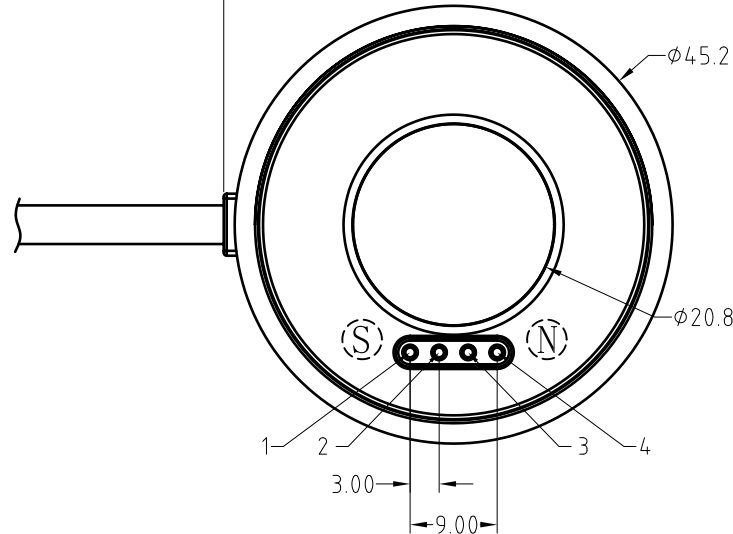


Approve Sign



1000±20

CONN



USB→CONN
1_Vcc__1
2_D__2
3_D+_3
4_GND__4

SCALE	10:1	UNIT:mm	THIS DOCUMENT IS THE SOLE PROPERTY OF CFE CORPORATION CO.,LTD., AND SHOULD NOT BE USED IN WHOLE OR IN PART WITHOUT PRIOR WRITTEN PERMISSION.
ANGEL	±2°	A4	
0~6	±0.10		
6~30	±0.20	DRAW	
30~150	±0.30	CHECK	
GENERAL TOLERANCE UNLESS OTHERWISE NOTED		APPRO	

SHEET: 1 of 1

**CFE** 东莞市川富电子有限公司  
 CFE CORPORATION CO.,LTD.

	D1	2015.10.28	修改磁铁数量,去掉一个磁铁
	D0	2015.08.20	NEW
ECN(DCN) NO.	REV	DATE	DESCRIPTION

PART NO.	CM-BP52111-04300H0A
FILE NAME	BP521XX
TITLE	Magnetic Cable Connector