

Note:<注意>

Mechanical:<机械性能>

.Contact force: 70g±20g at 1.0mm working stroke

<接触弹力: 70g±20g在1.0mm的工作行程>

.Full stroke: 1.40mm

<最大行程: 1.40mm>

.Life test: 50,000 cycles

<寿命: 50000次>

Electrical:<电气性能>

.Rated current & voltage: DC 12V, 2A Max.

<额定电压, 电流: DC 12V, 2A>

.Contact resistance: 50 milliohm Max.

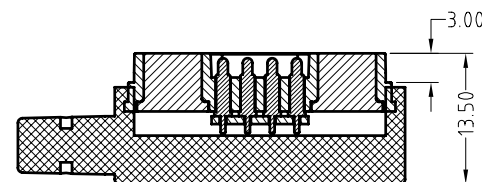
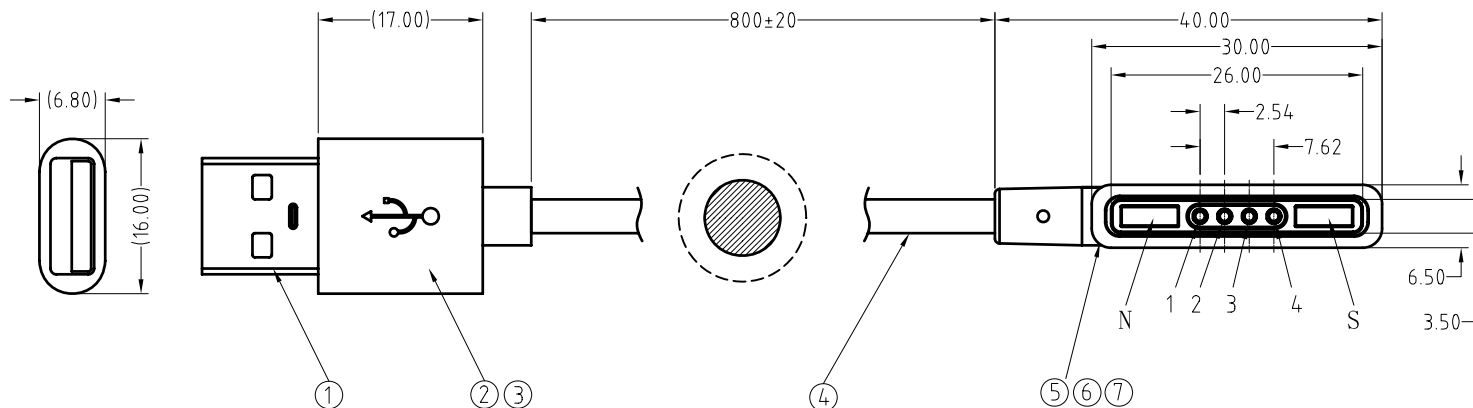
<接触阻抗: 50 milliohm Max.>

100% open & short test.

<100%导通,短路测试>



Approve Sign



7	Magnet Connector <磁吸接头>	M-BP70101-04254A0B	1
6	Lucency PE 3g <透明 PE 3克>	B000-P9001	1
5	Black PVC UL94 V-0 4g <黑色 PVC UL94 V-0 4克>	B000-P0002	1
4	OD3.5 4C×24AWG Black Jacket PVC 55P 840mm <OD3.5 4芯×24AWG 黑色 外被 PVC 55P 840mm>	X004-0205-XXXX	1
3	Black PVC UL94 V-0 4g <黑色 PVC UL94 V-0 4克>	B000-P0002	1
2	Lucency PE 3g <透明 PE 3克>	B000-P9001	1
1	USB/AM 0.025um Au Black salt spray test 48H <USB/AM 0.025um金 黑色 盐雾24小时>	B000-U2001	1
序号 (NO.)	规格 (Specification)	料号 (P/N)	数量 (Qty)

USB→CONN	
Vcc_1	1 Red
D-_2	2 White
D+_3	3 Green
GND_4	4 Black

SCALE	10:1	UNIT:mm	THIS DOCUMENT IS THE SOLE PROPERTY OF CFE CORPORATION CO.,LTD., AND SHOULD NOT BE USED IN WHOLE OR IN PART WITHOUT PRIOR WRITTEN PERMISSION.	<b>东莞市川富电子有限公司</b> CFE CORPORATION CO.,LTD.	
ANGEL	±2°	A4			
0~6	±0.10		SHEET: 1 of 1	PART NO.	CM-BP70101-04254A0B
6~30	±0.20	DRAW		FILE NAME	BP701XX
30~150	±0.30	CHECK		TITLE	Magnetic Cable Connector
GENERAL TOLERANCE UNLESS OTHERWISE NOTED		APPRO			

ECN(DCN) NO.	REV	DATE	DESCRIPTION
	A0	2016.11.04	NEW