

Note:

Mechanical:

.Contact force: 70g±20g at 1.0mm working stroke

.Life test: 20,000 cycles

Electrical:

.Rated current & voltage: DC 12V; 1A

.Contact resistance: 50 milliohm Max.

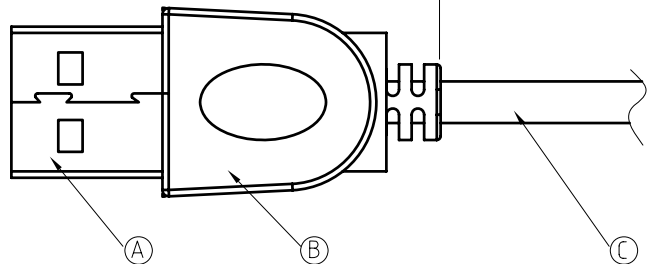
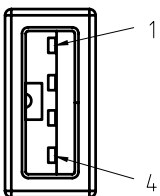
100% open & short test.

To ensure the best usage, please operate it based on the working height.

Based on the engineering drawings, shall not exceed the maximum allowed compression.

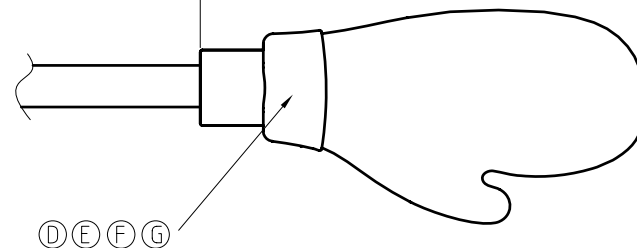
Approve Sign

USB



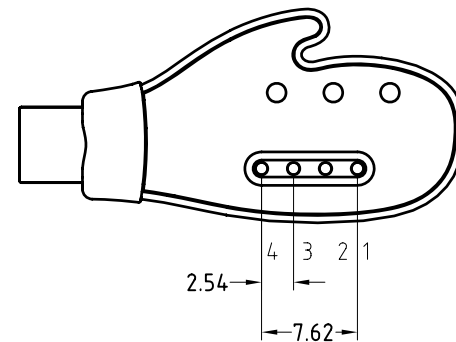
875±20

Pogo pin conn




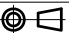
PIN OUTS

USB		Pogo pin
1	Red	1
2	green	2
3	blue	3
4	yellow	4



非焊接示意图

BOM		
序号	规格	数量
G	弹簧针: MP210-2112	4
F	磁铁 N38 镀镍 盐雾24小时	1
E	白色 ABS ROHS	1
D	白色 ABS ROHS	1
C	线材外径 1.3×3.2扁线×4C 8/0.08漆包线 白色TPE	1
B	白色 TPE ROHS	1
A	USB/AM公焊线式1U” ROHS 盐雾48小时	1

SCALE	10:1	UNIT:mm	THIS DOCUMENT IS THE SOLE PROPERTY OF CFE CORPORATION CO.,LTD., AND SHOULD NOT BE USED IN WHOLE OR IN PART WITHOUT PRIOR WRITTEN PERMISSION.	 东莞市川富电子有限公司 CFE CORPORATION	
ANGEL	±1°	A4			
0~6	±0.05		SHEET: 1 of 1	PART NO.	CM-MP210-2112-04254H0C
6~30	±0.10	DRAW		FILE NAME	21021
30~150	±0.15	CHECK		TITLE	Pogo pin connector
GENERAL TOLERANCE UNLESS OTHERWISE NOTED		APPRO			

ECN(DCN) NO.	REV	DATE	DESCRIPTION
	D0	2013.05.30	NEW