

Note:<注意>

Mechanical:<机械性能>

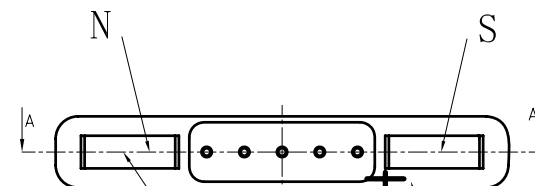
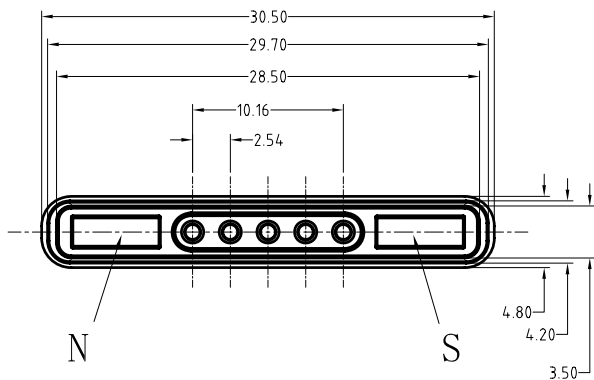
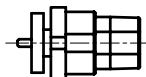
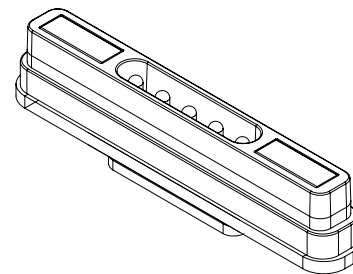
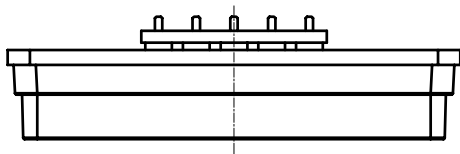
- .Contact force: 70g±20g at 1.0mm working stroke
- <接触弹力: 70g±20g在1.0mm的工作行程>
- .Full stroke: 1.40mm
- <最大行程: 1.40mm>
- .Life test: 50,000 cycles
- <寿命: 50000次>

Electrical:<电气性能>

- .Rated current & voltage: DC 12V, 2A Max.
- <额定电压, 电流: DC 12V, 2A>
- .Contact resistance: 50 milliohm Max.
- <接触阻抗: 50 milliohm Max.>

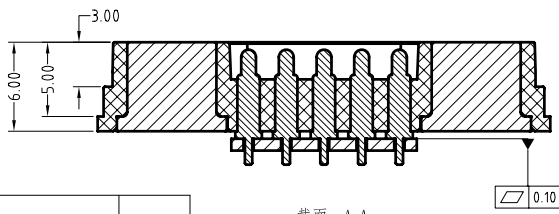


Approve Sign

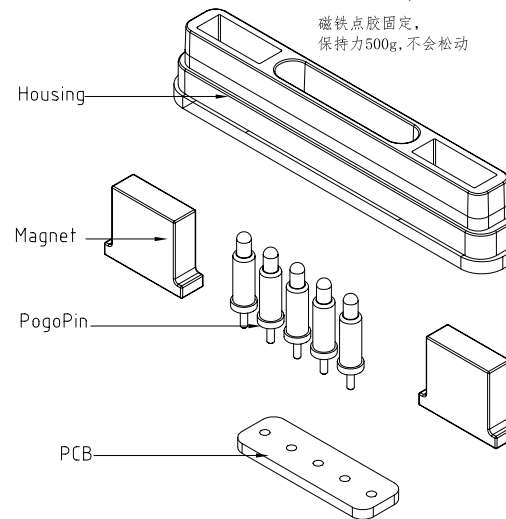


磁铁点胶固定, 保持力500g, 不会松动

注意磁铁方向



截面 A-A



4	PCB Polyester fiber board <PCB 聚酯纤维板>	B701-F5105	1
4	Pogo pin plating 0.125um Au <弹簧针 电镀金0.125um>	MP210-2111	5
3	N52 NdFeB Magnet plating Ni-Cu-Ni <N52 钕铁硼磁铁 表面镀镍铜镍>	B647-M1101	1
2	N52 NdFeB Magnet plating Ni-Cu-Ni <N52 钕铁硼磁铁 表面镀镍铜镍>	B647-M2102	1
1	Black HTN UL94 V-0 <黑色 HTN UL94 V-0>	B701-H5005	1
序号 <NO.>	规格 <Specification>	料号 <P/N>	数量 <Qty>

SCALE	10:1	UNIT:mm	THIS DOCUMENT IS THE SOLE PROPERTY OF CFE CORPORATION CO.,LTD., AND SHOULD NOT BE USED IN WHOLE OR IN PART WITHOUT PRIOR WRITTEN PERMISSION.
ANGEL	±2°	A4	
0~6	±0.10		SHEET: 1 of 1
6~30	±0.20	DRAW	
30~150	±0.30	CHECK	
GENERAL TOLERANCE UNLESS OTHERWISE NOTED		APPRO	

CFE 东莞市川富电子有限公司
CFE CORPORATION CO.,LTD.

PART NO. M-BP70101-05254A0B

FILE NAME BP701XX

TITLE. Pogo pin Connector

ECN(DCN) NO.	REV	DATE	DESCRIPTION
	A0	2016.11.04	NEW