

Note:<注意>

Mechanical:<机械性能>

.Contact force: 60g±20g at 0.8mm working stroke

<接触弹力: 60g±20g在0.8mm的工作行程>

.Life test: 20,000 cycles

<寿命: 20000次>

Electrical:<电气性能>

.Rated current & voltage: DC 12V, 1A

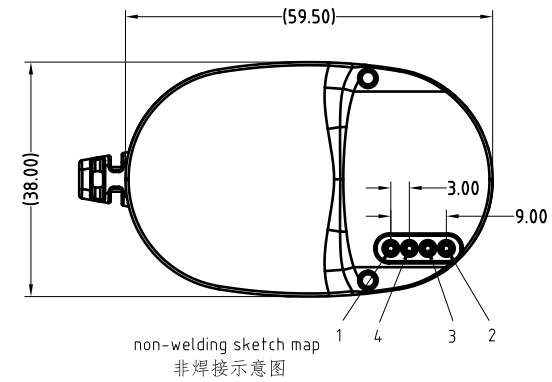
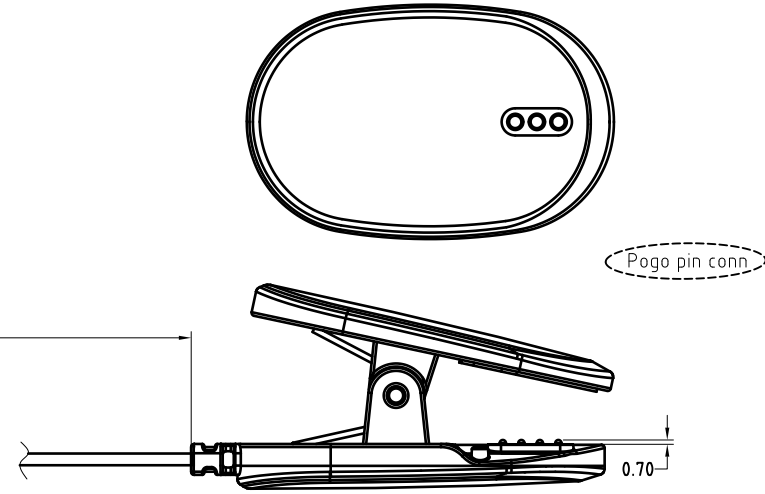
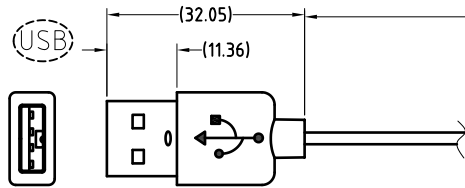
<额定电压, 电流: DC 12V, 1A>

.Contact resistance: 50 milliohm Max.

<接触阻抗: 50 milliohm Max.>

100% open & short test.

<100%导通,短路测试>



USB→Pogo pin conn
1---VCC---1
2---D- ---2
3---D+ ---3
4---GND---4

SCALE	10:1	UNIT:mm	THIS DOCUMENT IS THE SOLE PROPERTY OF CFE CORPORATION CO.,LTD., AND SHOULD NOT BE USED IN WHOLE OR IN PART WITHOUT PERMISSION.	东莞市川富电子有限公司 CFE CORPORATION CO.,LTD.
ANGEL	±1°	A4		
0~6	±0.05			
6~30	±0.10	DRAW		
30~150	±0.15	CHECK		
GENERAL TOLERANCE UNLESS OTHERWISE NOTED			APPRO	
PART NO.	CM-BP34711-04300H0C			
FILE NAME	BP347XX			
TITLE.	Pogo pin connector			

ECN(DCN) NO.	A0	2015.04.10	NEW
REV	DATE	DESCRIPTION	