

Note:<注意>

Mechanical:<机械性能>

.Contact force: 70g±20g at 1.0mm working stroke

<接触弹力: 70g±20g在1.0mm的工作行程>

.Full stroke:1.40mm<最大行程: 1.40mm>

.Life test: 20,000 cycles <寿命: 20000次>

Electrical:<电气性能>

Rated current & voltage: DC 12V, 2A

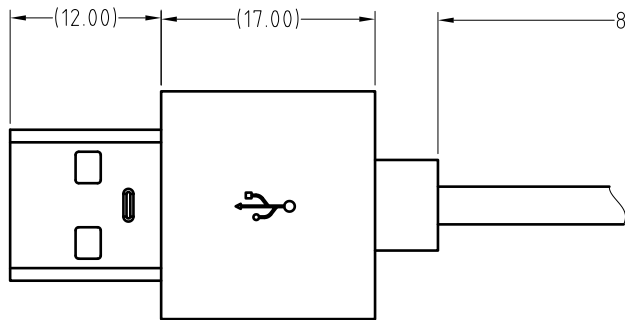
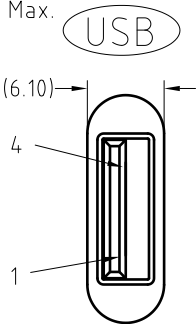
<额定电压, 电流: DC 12V, 2A>

.Contact resistance: 50 milliohm Max.

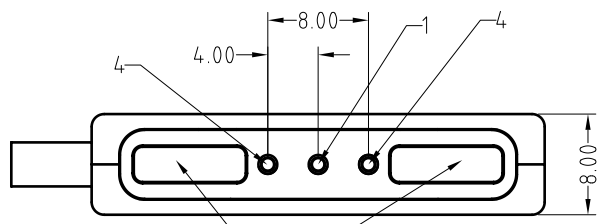
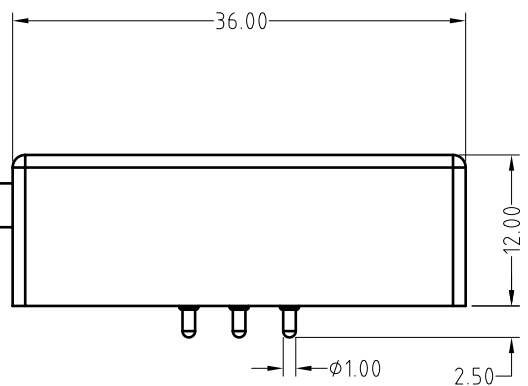
<接触阻抗: 50 milliohm 最大>

100% open & short test.

<100%导通,短路测试>



Pogo pin conn



N Docking magnet force 400 g.  
(N极 对接端吸附力为400g)

USB→Pogo pin conn
1_Vcc_1
4_GND_4

SCALE	10:1	UNIT:mm	THIS DOCUMENT IS THE SOLE PROPERTY OF CFE CORPORATION CO.,LTD., AND SHOULD NOT BE USED IN WHOLE OR IN PART WITHOUT PRIOR WRITTEN PERMISSION.
ANGEL	±1°	A4	
0~6	±0.10		
6~30	±0.15	DRAW	
30~150	±0.20	CHECK	
GENERAL TOLERANCE UNLESS OTHERWISE NOTED	APPRO		

东莞市川富电子有限公司 CFE CORPORATION CO.,LTD.	
PART NO.	CM-BP37511-03400H0C
FILE NAME	BP348XX
TITLE.	Pogo pin connector

ECN(DCN) NO.	D0	2015.1.9	NEW
REV	DATE	DESCRIPTION	