

1

2

3

4

Note:<注意>

Mechanical:<机械性能>

.Contact force: 90g±20g at 1.0mm working stroke

<接触弹力: 90g±20g在1.0mm的工作行程>

.Full stroke:1.40mm

<最大行程: 1.40mm>

.Life test: 20,000 cycles

<寿命: 20000次>

Electrical:<电气性能>

.Rated current & voltage: DC 12V, 2A

<额定电压, 电流: DC 12V, 2A>

.Contact resistance: 50 milliohm Max.

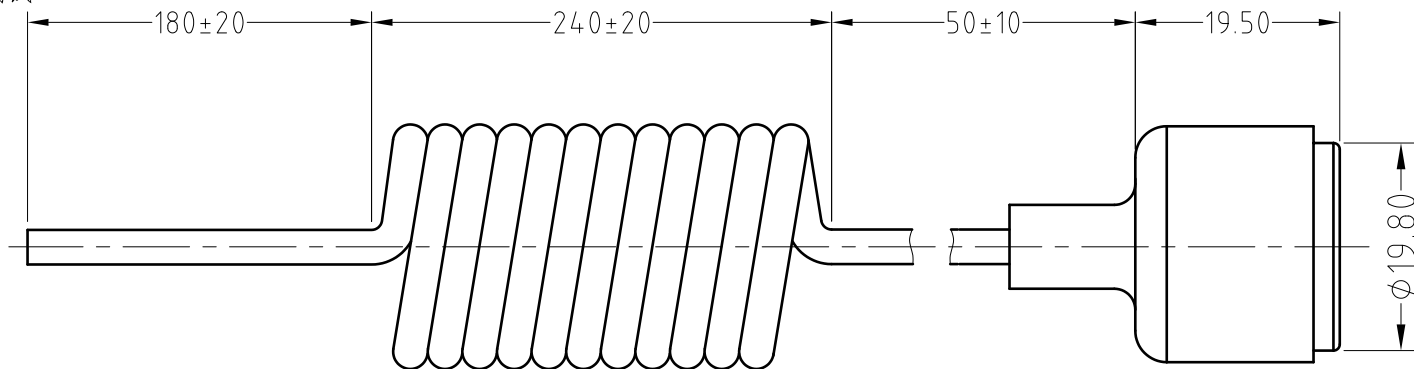
<接触阻抗: 50 milliohm 最大>

100% open & short test.

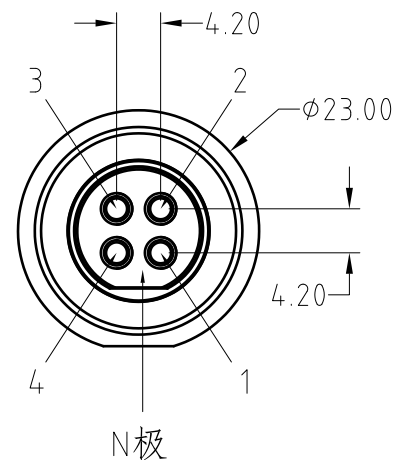
<100%导通,短路测试>



Approve Sign



Pogo pin conn



LINE-CONN
Red-1
Gree-2
Blue-3
Yellow-4

SCALE	10:1	UNIT:mm	THIS DOCUMENT IS THE SOLE PROPERTY OF CFE CORPORATION CO.,LTD., AND SHOULD NOT BE USED IN WHOLE OR IN PART WITHOUT PRIOR WRITTEN PERMISSION.
ANGEL	±1°	A4	
0~6	±0.10		SHEET: 1 of 1
6~30	±0.15	DRAW	
30~150	±0.20	CHECK	
GENERAL TOLERANCE UNLESS OTHERWISE NOTED		APPRO	

CFE 东莞市川富电子有限公司 CFE CORPORATION CO.,LTD.

PART NO. CM-BP41101-04420H0C

FILE NAME BP411XX

TITLE. Charge cable

ECN(DCN) NO.	REV	DATE	DESCRIPTION
	D0	2015.07.14	NEW