

1

2

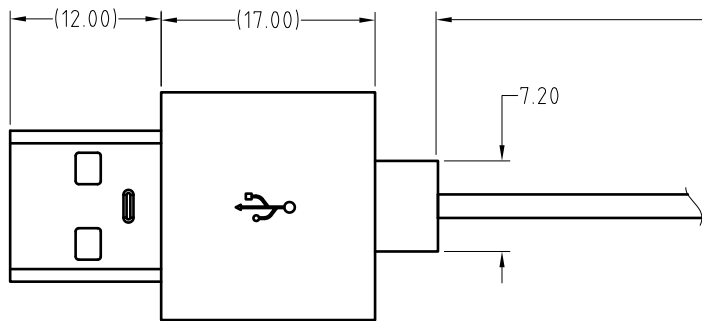
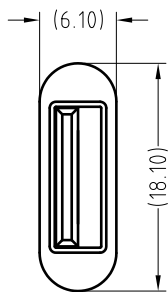
3

4

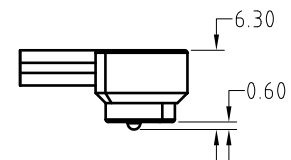
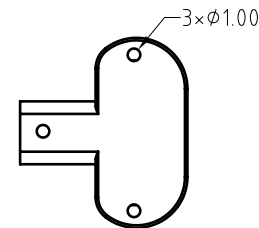
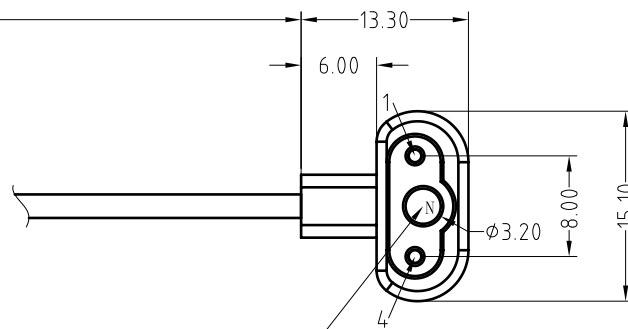
Note: (注意)
 Mechanical: (机械性能)
 Contact force: 4.0g±20g at 0.6mm working stroke
 (接触弹力: 4.0g±20g在0.6mm的工作行程)
 Full stroke: 0.80mm
 (最大行程: 0.80mm)
 Life test: 20,000 cycles
 (寿命: 20000次)
 Electrical: (电气性能)
 Rated current & voltage: DC 12V, 2A
 (额定电压, 电流: DC 12V, 2A)
 Contact resistance: 50 milliohm Max.
 (接触阻抗: 50 milliohm Max.)
 100% open & short test.
 (100%导通, 短路测试)



Approve Sign



800±20



N Docking magnet force 220g.
 (正面N极 对接端吸附力为220g)

USB→CONN
1_Vcc_1
4_GND_4

SCALE	10:1	UNIT:mm	THIS DOCUMENT IS THE SOLE PROPERTY OF CFE CORPORATION CO.,LTD., AND SHOULD NOT BE USED IN WHOLE OR IN PART WITHOUT PRIOR WRITTEN PERMISSION.	东莞市川富电子有限公司 CFE CORPORATION CO.,LTD.		
ANGEL	±1°	A4				
0~6	±0.10			SHEET: 1 of 1	PART NO.	CM-BP50311-02800H0C
6~30	±0.20	DRAW			FILE NAME	BP503XX
30~150	±0.30	CHECK		TITLE	Magnetic Cable Connector	
GENERAL TOLERANCE UNLESS OTHERWISE NOTED		APPRO				

ECN(DCN) NO.	REV	DATE	DESCRIPTION
	A0	2015.10.08	NEW