

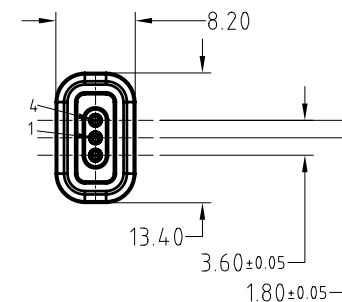
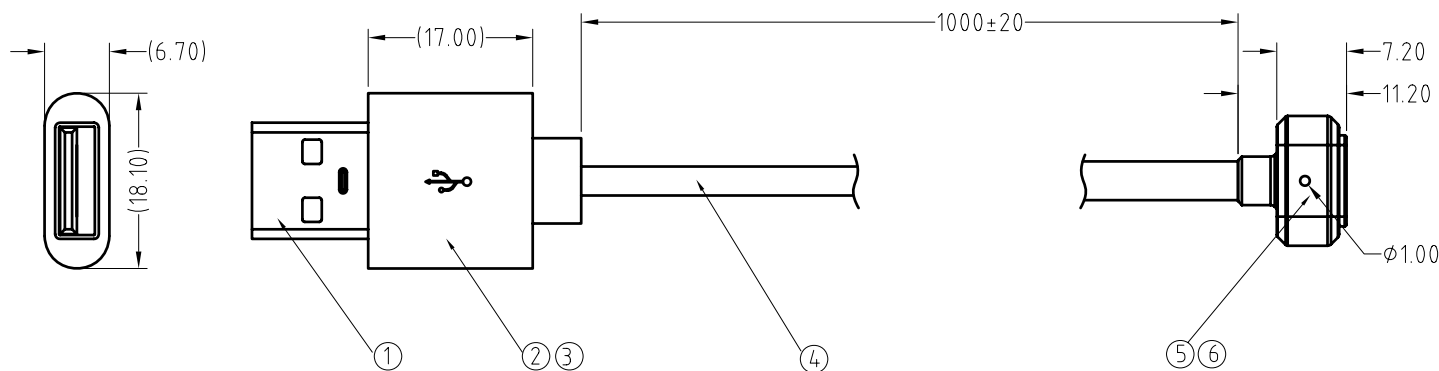
Note:<注意>  
 Mechanical:<机械性能>  
 .Contact force: 55g±20g at 1.0mm working stroke  
 <接触弹力: 55g±20g在1.0mm的工作行程>  
 .Life test: 50,000 cycles  
 <寿命: 50000次>  
 Electrical:<电气性能>  
 .Rated current & voltage: DC 12V, 1A Max.  
 <额定电压, 电流: DC 12V, 1A>  
 .Contact resistance: 50 milliohm Max.  
 <接触阻抗: 50 milliohm Max.>  
 100% open & short test.  
 <100%导通,短路测试>



Approve Sign

USB

CONN



6	White PVC 45P 5g <接头白被 白色 PVC 45P 5克>	B000-P0001	1
5	Alloy connector <合金接头>	M-BP54611-03180H0A	1
4	OD2.0 4C 8x0.08 Jacket White PVC 55P 104.0mm <OD2.0 4芯 8x0.08 白色 外被 PVC 55P 104.0mm>	X004-0104-XXXX	1
3	White PVC 45P 5g <白色 PVC 45P 5克>	B000-P0001	1
2	Lucency PE 5g <透明 PE 5克>	B000-P9001	1
1	USB/AM 0.025um Au white salt spray test 48H <USB/AM 0.025um 金 白色 盐雾48小时>	B000-U1001	1
序号 (NO.)	规格 (Specification)	料号 (P/N)	数量 (Qty)

(T1)

USB→CONN
1__Red__1
4__Black__4

	T2	2016.03.04	外观增加顶针孔
	T1	2016.01.15	修改电源线
	A0	2015.12.28	NEW
ECN(DCN) NO.	REV	DATE	DESCRIPTION

SCALE	10:1	UNIT:mm	THIS DOCUMENT IS THE SOLE PROPERTY OF CFE CORPORATION CO.,LTD., AND SHOULD NOT BE USED IN WHOLE OR IN PART WITHOUT PRIOR WRITTEN PERMISSION.	东莞市川富电子有限公司 CFE CORPORATION CO.,LTD.	
ANGEL	±2°	A4			
0~6	±0.10		SHEET: 1 of 1	PART NO.	CM-BP54611-03180H0M
6~30	±0.20	DRAW		FILE NAME	BP546XX
30~150	±0.30	CHECK		TITLE	Magnetic Cable Connector
GENERAL TOLERANCE UNLESS OTHERWISE NOTED		APPRO			