

Note:<注意>

Mechanical:<机械性能>

.Contact force: 40g±20g at 1.0mm working stroke

<接触弹力: 40g±20g在1.0mm的工作行程>

.Full stroke: 1.2mm

<最大行程: 1.2mm>

.Life test: 50,000 cycles

<寿命: 50000次>

Electrical:<电气性能>

.Rated current & voltage: DC 12V, 1A Max.

<额定电压, 电流: DC 12V, 1A>

.Contact resistance: 50 milliohm Max.

<接触阻抗: 50 milliohm Max.>

100% open & short test.

<100%导通,短路测试>

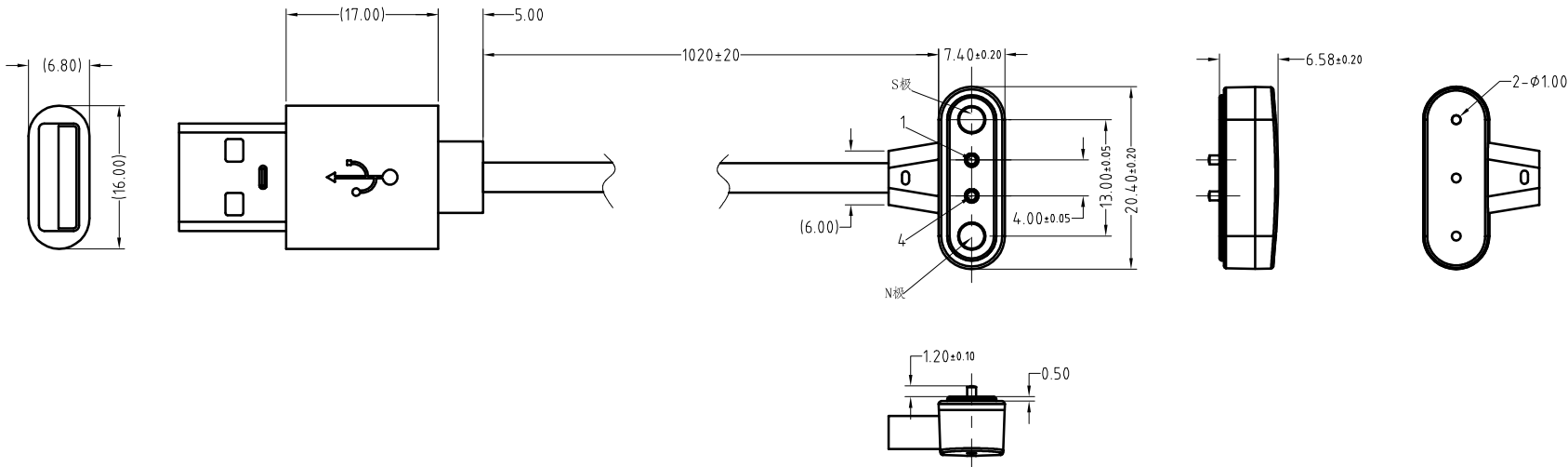
专利号: ZL2014 2 0620498.8



Approve Sign

USB

CONN



USB→CONN	
Vcc_1	→ 1 Red
GND_4	→ 4 Black

SCALE	10:1	UNIT:mm	THIS DOCUMENT IS THE SOLE PROPERTY OF CFE CORPORATION CO.,LTD., AND SHOULD NOT BE USED IN WHOLE OR IN PART WITHOUT PRIOR WRITTEN PERMISSION.	
ANGEL	±2°	A4		
0~6	±0.10			SHEET: 1 of 1
6~30	±0.20	DRAW		
30~150	±0.30	CHECK		
GENERAL TOLERANCE UNLESS OTHERWISE NOTED		APPRO		

CFE 东莞市川富电子有限公司
CFE CORPORATION CO.,LTD.

_____	D1	2016.08.13	去掉LOGO
_____	D0	2016.03.18	NEW
ECN(DCN) NO.	REV	DATE	DESCRIPTION

PART NO.	CM-BP62311-02400H0A
FILE NAME	BP623XX
TITLE.	Magnetic Cable Connector