

Note:<注意>

Mechanical:<机械性能>

- .Contact force: 70g±20g at 1.0mm working stroke
- <接触弹力: 70g±20g在1.0mm的工作行程>
- .Full stroke: 1.40mm
- <最大行程: 1.40mm>
- .Life test: 50,000 cycles
- <寿命: 50000次>

Electrical:<电气性能>

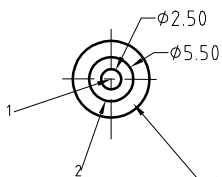
- .Rated current & voltage: DC 19V, 3A Max.
- <额定电压, 电流: DC 19V, 3A Max.>
- .Contact resistance: 50 milliohm Max.
- <接触阻抗: 50 milliohm Max.>
- 100% open & short test.
- <100%导通,短路测试>



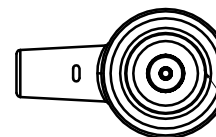
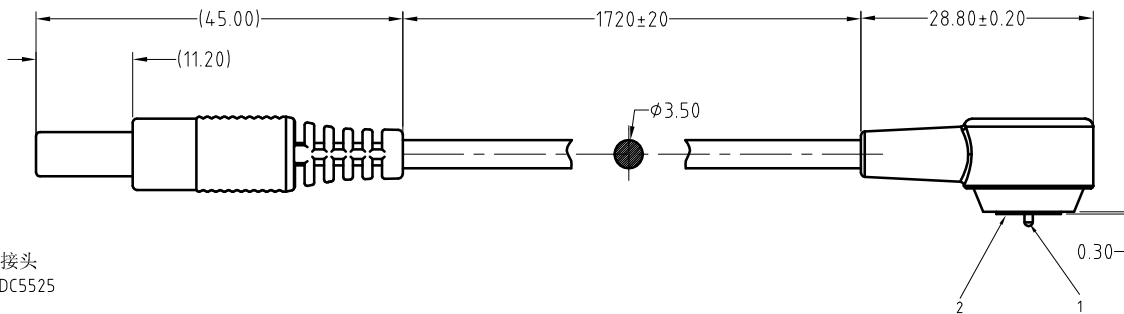
Approve Sign

CONN

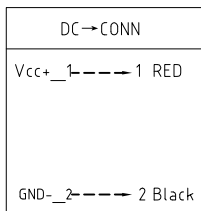
CONN



标准DC接头
型号: DC5525



Red wire connection pin
Black wire connection shell



5	White DC5525 CONN OD3.50 2C 22AWG White Jacket PVC 55P <白色 DC5525接头 >	xxxx	1
4	OD3.50 2C 22AWG White Jacket PVC 55P 1760 mm <OD3.50 2C 22AWG 白色PVC外被 55P 1760mm>	X002-0103-XXXX	1
3	White PVC 45P 5g <白色 PVC 45P 5克>	B000-P0001	1
2	Lucency PE 3g <透明 PE 3克>	B000-P9001	1
1	142 Magnetic suction joint <142磁吸接头>	M-BP14211-01000H0C	1
序号 (NO.)	规格 (Specification)	料号 (P/N)	数量 (Qty)

	D0	2016.06.02	NEW
ECN(DCN) NO.	REV	DATE	DESCRIPTION

SCALE	10:1	UNIT:mm	THIS DOCUMENT IS THE SOLE PROPERTY OF CFE CORPORATION CO.,LTD., AND SHOULD NOT BE USED IN WHOLE OR IN PART WITHOUT PRIOR WRITTEN PERMISSION.	东莞市川富电子有限公司 CFE CORPORATION CO.,LTD.
ANGEL	±2°	A4		
0~6	±0.10			
6~30	±0.20	DRAW	PART NO.	CM-BP71411-02300H0A
30~150	±0.30	CHECK	FILE NAME	BP714XX
GENERAL TOLERANCE UNLESS OTHERWISE NOTED	APPRO		TITLE.	Magnetic Cable Connector