

Note:<注意>

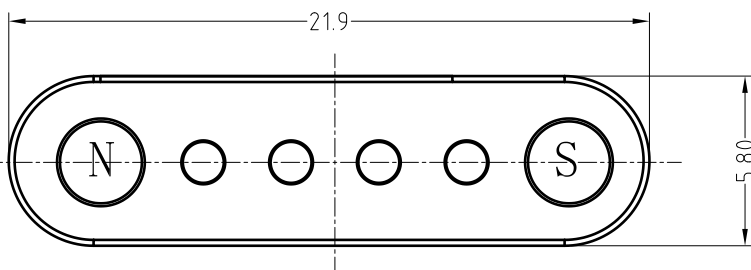
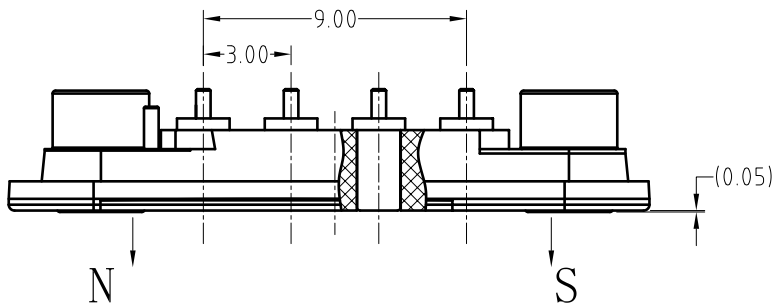
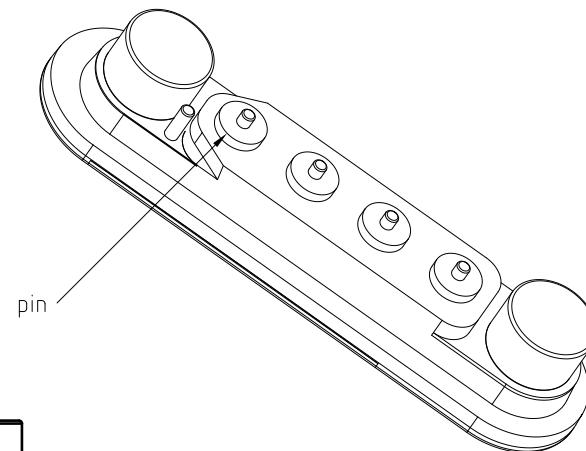
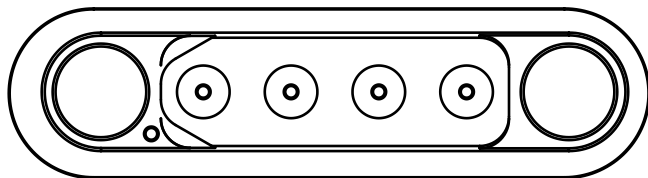
Electrical:<电气性能>

.Rated current & voltage: DC 12V, 1A

<额定电压, 电流: DC 12V, 1A>

.Contact resistance: 50 milliohm Max.

<接触阻抗: 50 milliohm 最大.>



	10:1	UNIT:mm	THIS DOCUMENT IS THE SOLE PROPERTY OF CFE CORPORATION CO.,LTD., AND SHOULD NOT BE USED IN WHOLE OR IN PART WITHOUT PRIOR WRITTEN PERMISSION.	
ANGEL	±1°	A4	SHEET: 1 of 1	
0~6	±0.05 SCALE			
6~30	±0.10	DRAW	PART NO.	M-BP34901-04300H0F
30~150	±0.15	CHECK	FILE NAME	BP349XX
GENERAL TOLERANCE UNLESS OTHERWISE NOTED		APPRO	TITLE	Pogo pin connector



_____	D0	2015.04.08	NEW
ECN(DCN) NO.	REV	DATE	DESCRIPTION