

Note:<注意>

Materials:<材质>

.Pin: Brass 0.5um Au over Ni

<Pin: 黄铜表面镀金0.5um, 底层镀镍>

Electrical:<电气性能>

.Rated current & voltage: DC 12V, 2A

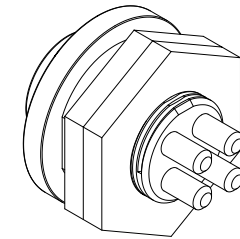
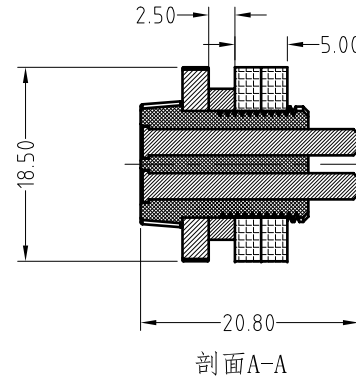
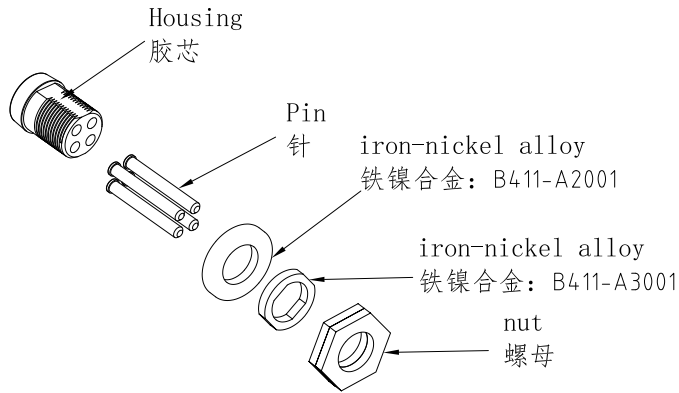
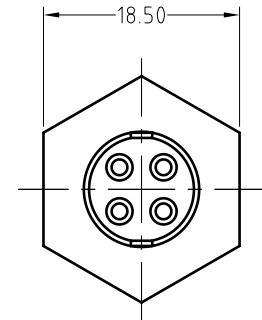
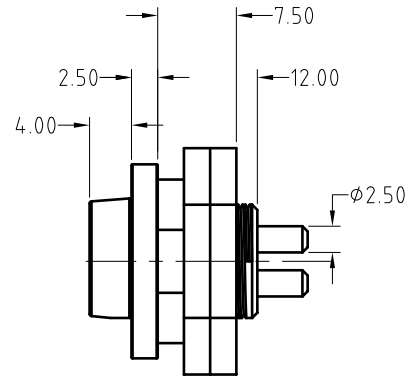
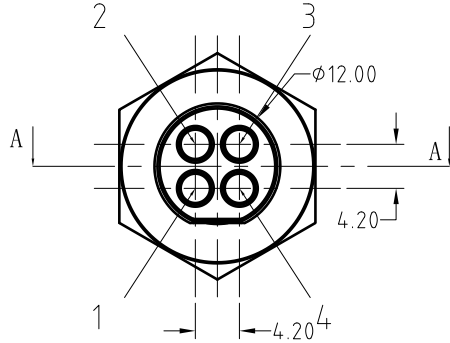
<额定电压, 电流: DC 12V, 2A>

.Contact resistance: 50 milliohm Max.

<接触阻抗: 50 milliohm Max.>



Approve Sign



SCALE	10:1	UNIT:mm	THIS DOCUMENT IS THE SOLE PROPERTY OF CFE CORPORATION CO.,LTD., AND SHOULD NOT BE USED IN WHOLE OR IN PART WITHOUT PRIOR WRITTEN PERMISSION.	
ANGEL	±1°	A4	SHEET: 1 of 1	
0~6	±0.10		PART NO.	M-BP41102-04420H0A
6~30	±0.15	DRAW	FILE NAME	BP411XX
30~150	±0.20	CHECK	TITLE	Pogo pin connector
GENERAL TOLERANCE UNLESS OTHERWISE NOTED		APPRO		

CFE 东莞市川富电子有限公司
CFE CORPORATION CO.,LTD.

ECN(DCN) NO.	REV	DATE	DESCRIPTION
	D0	2015.07.21	NEW