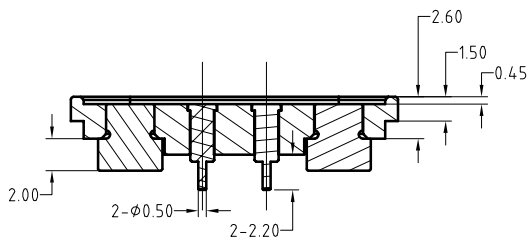
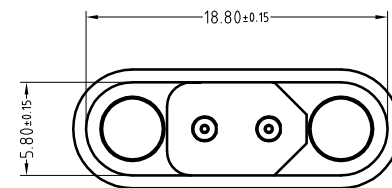
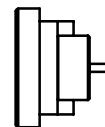
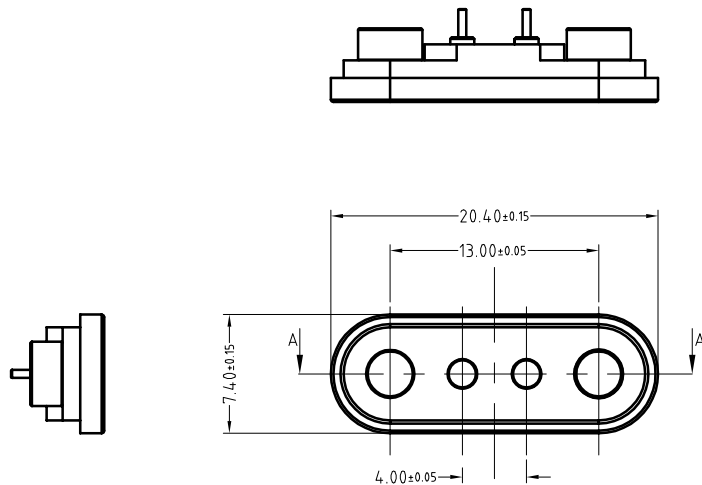
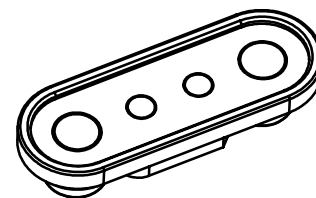


Note:<注意>
 Electrical:<电气性能>
 .Rated current & voltage: DC 12V, 1A
 <额定电压, 电流: DC 12V, 1A>
 .Contact resistance: 50 milliohm Max.
 <接触阻抗: 50 milliohm Max.>
 100% open & short test.
 <100%导通,短路测试>
 专利号: ZL2014 2 0620498.8



Approve Sign



截面 A-A

SCALE	10:1	UNIT:mm	THIS DOCUMENT IS THE SOLE PROPERTY OF CFE CORPORATION CO.,LTD., AND SHOULD NOT BE USED IN WHOLE OR IN PART WITHOUT PRIOR WRITTEN PERMISSION.	
ANGEL	±2°	A4	SHEET: 1 of 1	
0~6	±0.10		PART NO.	M-BP62321-02400H0B
6~30	±0.20	DRAW	FILE NAME	BP623XX
30~150	±0.30	CHECK	TITLE	Magnetic Cable Connector
GENERAL TOLERANCE UNLESS OTHERWISE NOTED		APPRO		



ECN(DCN) NO.	D0	2016.08.22	NEW
REV	DATE	DESCRIPTION	