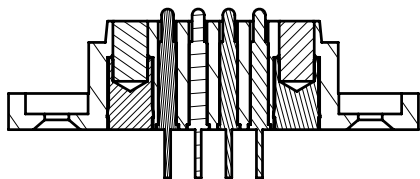


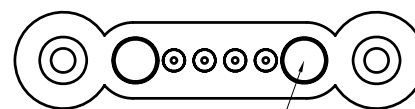
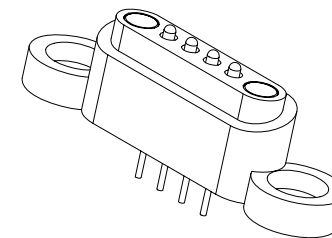
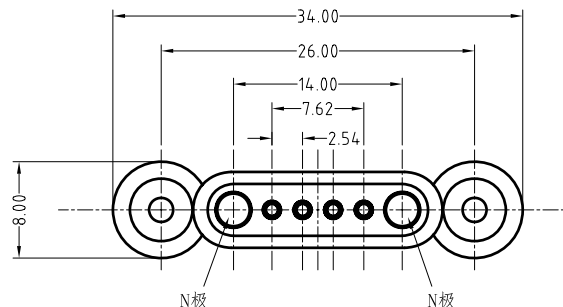
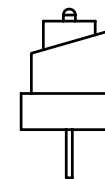
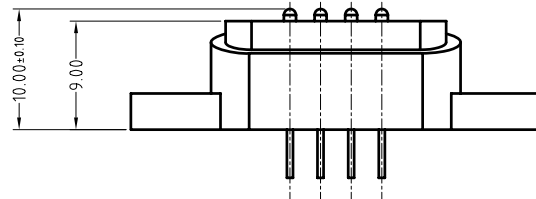
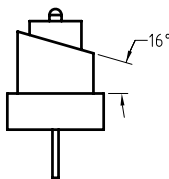
Note:<注意>
 Mechanical:<机械性能>
 .Contact force: 60g±15g at 1.0mm working stroke
 <接触弹力: 60g±20g在1.0mm的工作行程>
 .Full stroke:1.40mm
 <最大行程: 1.40mm>
 .Life test: 100,000 cycles
 <寿命: 100000次>
 Electrical:<电气性能>
 .Rated current & voltage: DC 12V, 5A
 <额定电压, 电流: DC 12V, 5A>
 .Contact resistance: 50 milliohm Max.
 <接触阻抗: 50 milliohm Max.>
 100% open & short test.
 <100%导通,短路测试>
 专利号: ZL2014 2 0620492.X



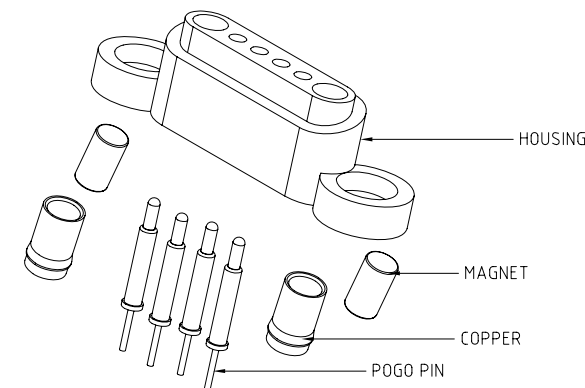
CA65
 PROP65
 加州65



截面 A-A



磁铁点胶固定



4	Copper Pb≤100 ppm <铜套 铅含量小于等于100ppm>	B675-C8200	2
3	Black HTN UL94 V-0 <黑色 HTN UL94 V-0>	B675-H9009	1
2	Pogo pin plating 0.375um Au <弹簧针 电镀金0.375um>	BP67511	4
1	N52 NdFeB Magnet plating Ni-Cu-Ni <N52 钕铁硼磁铁 表面镀镍铜镍>	B675-M3101	2
序号 <NO.>	规格 <Specification>	料号 <P/N>	数量 <Qty>

SCALE	10:1	UNIT:mm	THIS DOCUMENT IS THE SOLE PROPERTY OF CFE CORPORATION CO.,LTD., AND SHOULD NOT BE USED IN WHOLE OR IN PART WITHOUT PRIOR WRITTEN PERMISSION.
ANGEL	±2°	A4	
0~6	±0.10		SHEET: 1 of 1
6~30	±0.20	DRAW	
30~150	±0.30	CHECK	
GENERAL TOLERANCE UNLESS OTHERWISE NOTED		APPRO	

CFE 东莞市川富电子有限公司
 CFE CORPORATION CO.,LTD.

_____	A1	2016.09.17	修改铜套结构
_____	A0	2016.08.09	NEW
ECN(DCN) NO.	REV	DATE	DESCRIPTION

PART NO.	M-BP67591-04254H0A
FILE NAME	BP675XX
TITLE.	Pogo pin Connector