

Note:<注意>

Mechanical:<机械性能>

.Contact force: 40g±20g at 1.0mm working stroke
 <接触弹力: 40g±20g 1.0mm的工作行程>
 .Full stroke: 1.40mm
 <最大行程: 1.80mm>
 .Life test: 50,000 cycles
 <寿命: 50000次>

Electrical:<电气性能>

.Rated current & voltage: DC 12V, 1A
 <额定电压, 电流: DC 12V, 1A>
 .Contact resistance: 50 milliohm Max.
 <接触阻抗: 50 milliohm Max.>
 100% open & short test.
 <100%导通,短路测试>
 专利号: ZL2014 2 0620498.8

USB

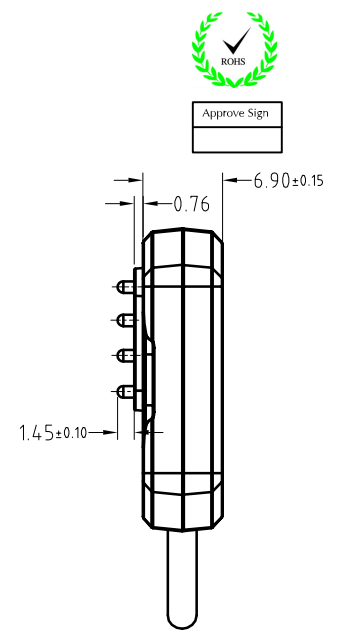
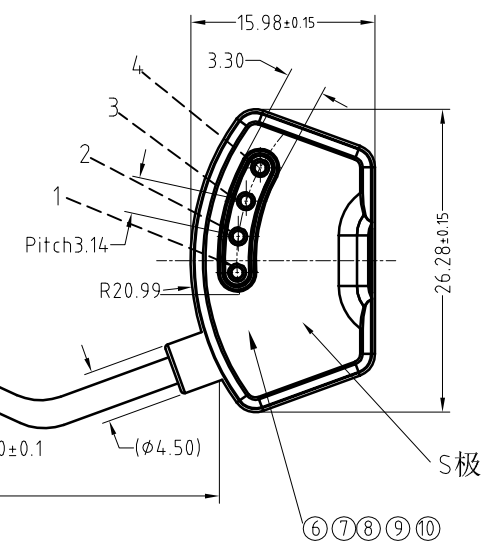
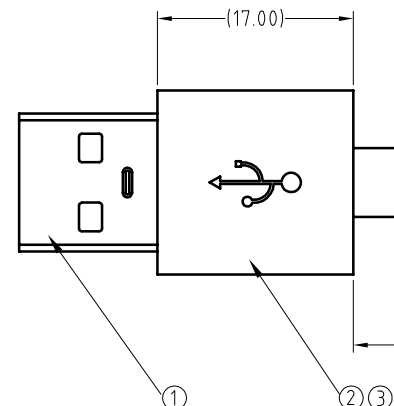
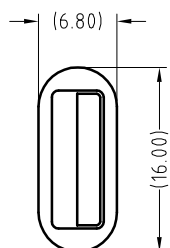
CONN

A

B

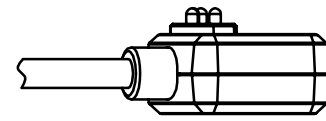
C

D



10	PCB polyester fiber board <PCB 聚酯纤维板>	B767-F1000	1
9	Pogo pin plating 0.375um Au <弹簧针 电镀金0.375um >	BP76711	4
8	N52 NdFeB Magnet plating Zn <N52 钕铁硼磁铁 表面镀锌>	B767-M1100	1
7	Cope Black ABS UL94 V-0 <上壳 黑色ABS UL94 V-0>	B767-H1000	1
6	Bottom Black ABS UL94 V-0 <下壳 黑色ABS UL94 V-0>	B767-H2000	1
5	SR Black PVC 45P <SR 黑色 PVC 45P>	B000-P0002	1
4	OD2.5 4C 16X0.08 Black Jacket PVC 55P 1040mm <OD2.5 4C 16X0.08 黑色 外被PVC 55P 1040mm>	X004-0203-XXXX	1
3	Black PVC 45P <黑色PVC外被>	B000-P0002	1
2	Lucency PE 3g <透明 PE 3克>	B000-P9001	1
1	USB/AM 0.025um Au Black salt spray test 48H <USB/AM 0.025um金 黑色 盐雾24小时>	B000-U2001	1
序号 (NO.)	规格 (Specification)	料号 (P/N)	数量 (Qty)

USB→CONN	
Vcc_1	→ 1 Red
D-_2	→ 2 Yellow
D+_3	→ 3 Green
GND_4	→ 4 Blue



SCALE	10:1	UNIT:mm	THIS DOCUMENT IS THE SOLE PROPERTY OF CFE CORPORATION CO.,LTD., AND SHOULD NOT BE USED IN WHOLE OR IN PART WITHOUT PRIOR WRITTEN PERMISSION.	东莞市川富电子有限公司 CFE CORPORATION CO.,LTD.	
ANGEL	±2°	A4			
0~6	±0.10		SHEET: 1 of 1	PART NO.	CM-BP76711-04314H0A
6~30	±0.20	DRAW		FILE NAME	BP767XX
30~150	±0.30	CHECK		TITLE	Magnetic Cable Connector
GENERAL TOLERANCE UNLESS OTHERWISE NOTED		APPRO			

ECN(ICN) NO.	REV	DATE	DESCRIPTION
	D0	2016.08.24	NEW