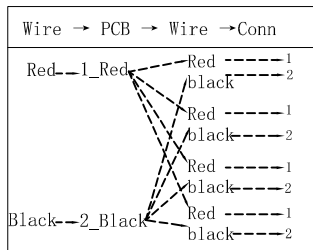
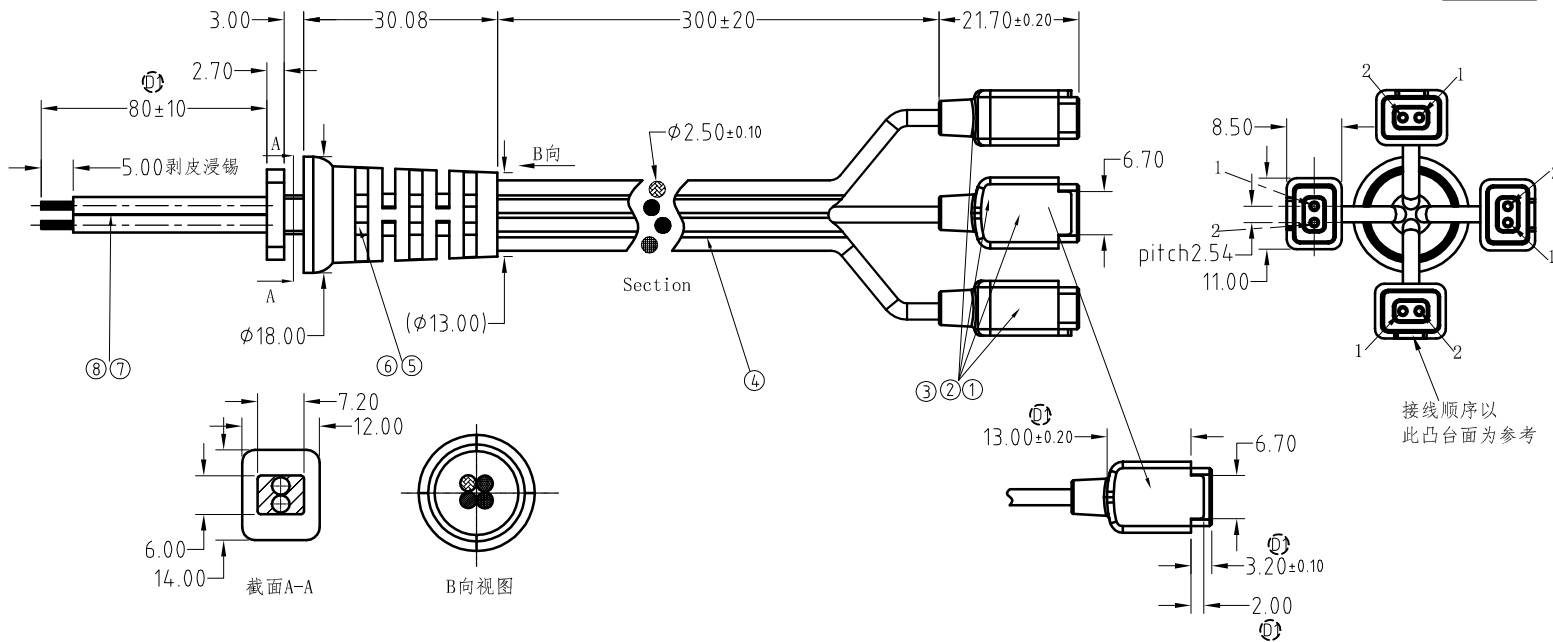
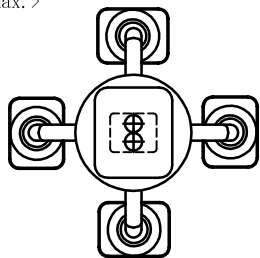


Note: <注意>  
 Mechanical: <机械性能>  
 .Contact force: 120g±20% at 1.0mm working stroke  
 <接触弹力: 120g±20% 在1.0mm的工作行程>  
 .Life test: 50,000 cycles  
 <寿命: 50000次>  
 Electrical: <电气性能>  
 .Rated current & voltage: DC 12V, 1A .  
 <额定电压, 电流: DC 12V, 1A>  
 .Contact resistance: 50 milliohm Max.  
 <接触阻抗: 50 milliohm Max.>  
 100% open & short test.  
 <100%导通, 短路测试>



Approve Sign



	D1	2016.11.01	外形尺寸修改重新开外被摸
	D0	2016.09.27	NEW
ECN(DCN) NO.	REV	DATE	DESCRIPTION

SCALE	10:1	UNIT:mm	THIS DOCUMENT IS THE SOLE PROPERTY OF CFE CORPORATION CO.,LTD., AND SHOULD NOT BE USED IN WHOLE OR IN PART WITHOUT PRIOR WRITTEN PERMISSION.
ANGEL	±2°	A4	
0~6	±0.10		SHEET: 1 of 1
6~30	±0.20	DRAW	
30~150	±0.30	CHECK	
GENERAL TOLERANCE UNLESS OTHERWISE NOTED		APPRO	



PART NO.	CM-BP81111-02254H0A
FILE NAME	BP811XX
TITLE.	Magnetic Cable Connector