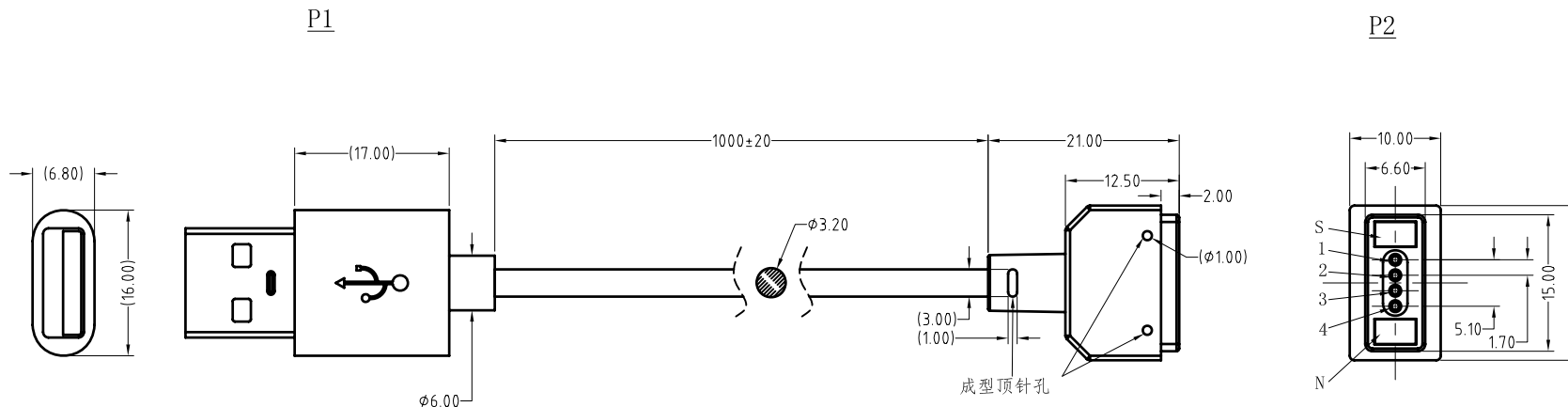


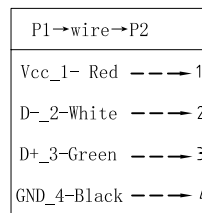
Note:<注意>
 Mechanical:<机械性能>
 .Contact force: 80g±20g at 0.9mm working stroke
 <接触弹力: 80g±20g在0.9mm的工作行程>
 .Full stroke: 1.10mm
 <最大行程: 1.10mm>
 .Life test: 50,000 cycles
 <寿命: 50000次>
 Electrical:<电气性能>
 .Rated current & voltage: DC 12V, 1A Max.
 <额定电压, 电流: DC 12V, 1A>
 .Contact resistance: 50 milliohm Max.
 <接触阻抗: 50 milliohm Max.>
 100% open & short test.
 <100%导通, 短路测试>
 专利号: 见CFE产品专利说明



Approve Sign



7	Magnet conn <磁吸接头>	M-BP93401-04170H0A	1
6	Lucency PE <透明 PE >	B000-P9001	1
5	Black PVC 45P <黑色PVC 45P>	B000-P0002	1
4	OD3.2 4C 2C 24AWG 2C 28AWG Black Jacket PVC 55P 1040mm <OD3.2 4C 2C 24AWG 2C 28AWG 黑色 外被PVC 55P 1040mm>	X004-0202-XXXX	1
3	Black PVC 45P <黑色PVC 45P>	B000-P0002	1
2	Lucency PE 3g <透明 PE 3克>	B000-P9001	1
1	USB/AM 0.025um Au Black salt spray test 48H <USB/AM 0.025um金 黑色 盐雾24小时>	B000-U2001	1
序号 (NO.)	规格 (Specification)	料号 (P/N)	数量 (Qty)



SCALE	10:1	UNIT:mm	THIS DOCUMENT IS THE SOLE PROPERTY OF CFE CORPORATION CO.,LTD., AND SHOULD NOT BE USED IN WHOLE OR IN PART WITHOUT PRIOR WRITTEN PERMISSION.	
ANGEL	±2°	A4	SHEET: 1 of 1	
0~6	±0.10		PART NO.	CM-BP934.11-04170H0F
6~30	±0.20	DRAW	FILE NAME	BP934XX
30~150	±0.30	CHECK	TITLE	Magnetic Cable Connector
GENERAL TOLERANCE UNLESS OTHERWISE NOTED		APPRO		



ECN(DCN) NO.	REV	DATE	DESCRIPTION
	A0	2017.08.25	NEW