

Note:

Materials:

.Insulator: Black high temperature plastics UL94 V-0

.Pin: Brass 0.25um Au over Ni

.Copper pipe: Brass plating Ni

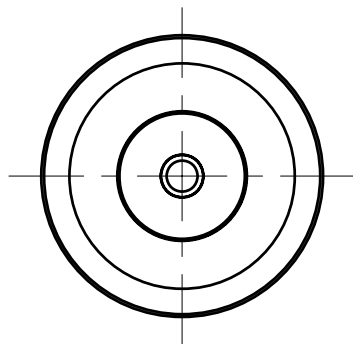
.Magnet: NdFeB

Electrical:

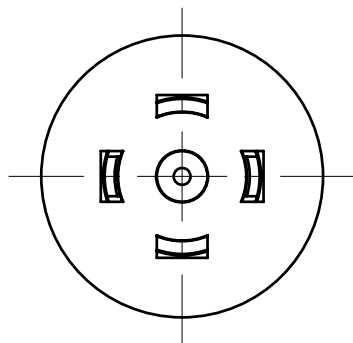
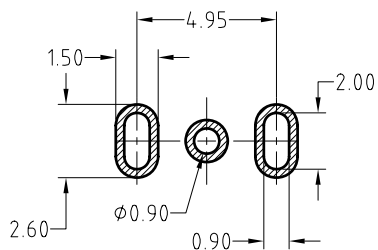
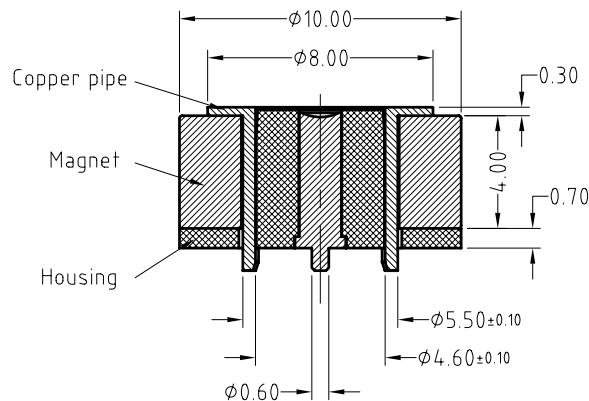
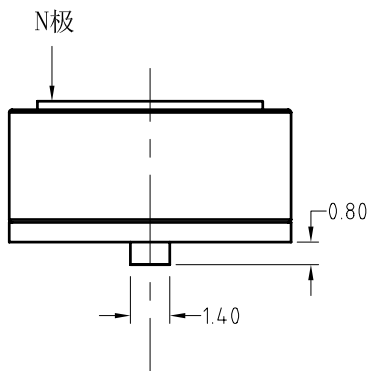
.Rated current & voltage: DC 24V; 5A MAX

.Contact resistance: 50 milliohm Max.

To ensure the best usage, please operate it based on the working height.
Based on the engineering drawings, shall not exceed the maximum allowed compression.



BOM		
Part	NO.	Qty
Pin	B813-W1010	1
Pipe	B813-C1100	1
Magnet	B142-M8100	1
Housing	01000-H03	1



Recommended pcb layout
layout tolerance: ±0.05mm

SCALE	10:1	UNIT:mm	THIS DOCUMENT IS THE SOLE PROPERTY OF CFE CORPORATION CO.,LTD., AND SHOULD NOT BE USED IN WHOLE OR IN PART WITHOUT PRIOR WRITTEN PERMISSION.	东莞市川富电子有限公司 CFE CORPORATION CO.,LTD.	
ANGEL	±1°	A4			
0~6	±0.05		SHEET: 1 of 1	PART NO.	M-BP81311-01000H0E
6~30	±0.10	DRAW		FILE NAME	BP813XX
30~150	±0.15	CHECK		TITLE.	Pogo pin connector
GENERAL TOLERANCE UNLESS OTHERWISE NOTED		APPRO			

ECN(DCN) NO.	A0	2017.01.12	NEW
REV	DATE	DESCRIPTION	