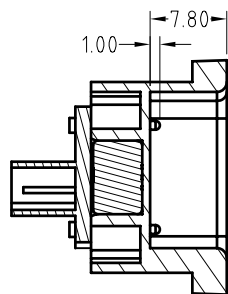


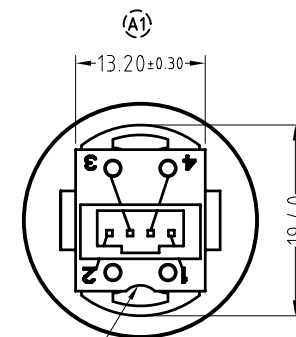
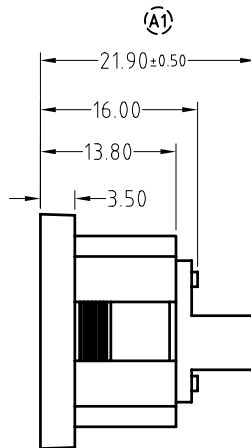
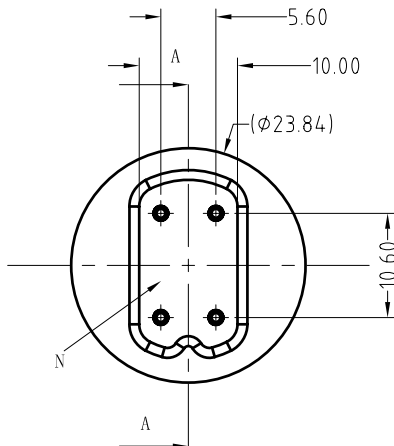
Note:<注意>  
 Mechanical:<机械性能>  
 .Contact force: 70g±20g at 1.0mm working stroke  
 <接触弹力: 70g±20g在1.0mm的工作行程>  
 .Full stroke: 1.40mm  
 <最大行程: 1.40mm>  
 .Life test: 50,000 cycles  
 <寿命: 50000次>  
 Electrical:<电气性能>  
 .Rated current & voltage: DC 12V, 2A Max.  
 <额定电压, 电流: DC 12V, 2A>  
 .Contact resistance: 50 milliohm Max.  
 <接触阻抗: 50 milliohm Max.>  
 100% open & short test.  
 <100%导通, 短路测试>



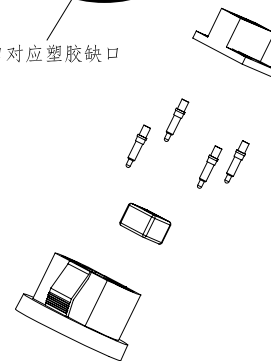
Approve Sign



截面 A-A



PCB缺口对应塑胶缺口



比例 1:2

4	PCB Polyester fiber board <PCB 聚酯纤维板>	B822-F1100	1
3	Pogo pin contact area plating 0.375um Au <弹簧针 接触区域 电镀金0.375um>	BP82211	4
2	N52 NdFeB Magnet plating Ni <N52 钕铁硼磁铁 表面镀镍>	B822-M1100	1
1	Black PA66 UL94 V-0 <黑色 PA66 UL94 V-0>	B822-H1001	1
序号 <NO.>	规格 <Specification>	料号 <P/N>	数量 <Qty>

_____	A1	2017.02.24	修改尺寸及公差
_____	A0	2017.01.03	NEW
ECN(DCN) NO.	REV	DATE	DESCRIPTION

SCALE	10:1	UNIT:mm	THIS DOCUMENT IS THE SOLE PROPERTY OF CFE CORPORATION CO.,LTD., AND SHOULD NOT BE USED IN WHOLE OR IN PART WITHOUT PRIOR WRITTEN PERMISSION.	<b>东莞市川富电子有限公司</b> CFE CORPORATION CO.,LTD.
ANGEL	±2°	A4		
0~6	±0.10		SHEET: 1 of 1	
6~30	±0.20	DRAW		PART NO. M-BP82211-04560H0F
30~150	±0.30	CHECK		FILE NAME BP822XX
GENERAL TOLERANCE UNLESS OTHERWISE NOTED	APPRO			TITLE. Pogo pin Connector