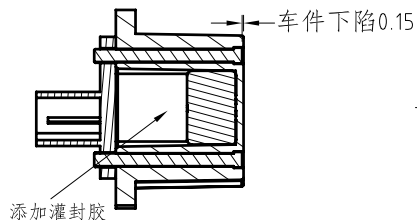


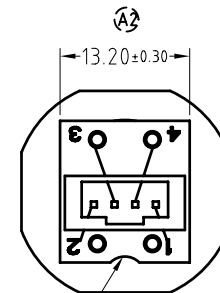
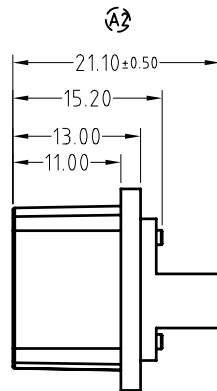
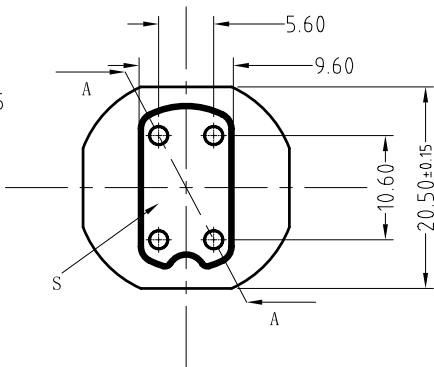
Note:<注意>  
 Electrical:<电气性能>  
 .Rated current & voltage: DC 12V, 2A Max.  
 <额定电压, 电流: DC 12V, 2A>  
 .Contact resistance: 50 milliohm Max.  
 <接触阻抗: 50 milliohm Max.>  
 100% open & short test.  
 <100%导通, 短路测试>



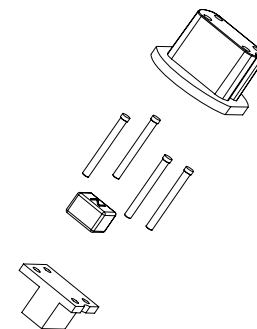
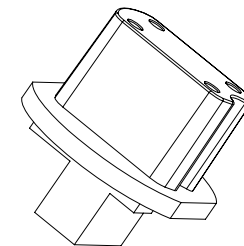
Approve Sign



截面 A-A



PCB缺口对应塑胶缺口



4	PCB Polyester fiber board <PCB 聚酯纤维板>	B822-F1100	1
3	Pin plating 0.375um Au <针 电镀金0.375um>	B822-W1115	4
2	N52 NdFeB Magnet plating Ni <N52 钕铁硼磁铁 表面镀镍>	B822-M1100	1
1	Black PA66 UL94 V-0 <黑色 PA66 UL94 V-0>	B822-H2002	1
序号 <NO.>	规格 <Specification>	料号 <P/N>	数量 <Qty>

_____	A2	2017.02.24	修改尺寸公差
_____	A1	2017.01.19	修改外形
_____	A0	2017.01.03	NEW
ECN(DCN) NO.	REV	DATE	DESCRIPTION

SCALE	10:1	UNIT:mm	THIS DOCUMENT IS THE SOLE PROPERTY OF CFE CORPORATION CO.,LTD., AND SHOULD NOT BE USED IN WHOLE OR IN PART WITHOUT PRIOR WRITTEN PERMISSION.	
ANGEL	±2°	A4	SHEET: 1 of 1	
0~6	±0.10			
6~30	±0.20	DRAW	PART NO.	M-BP82221-04560H0M
30~150	±0.30	CHECK	FILE NAME	BP822XX
GENERAL TOLERANCE UNLESS OTHERWISE NOTED	APPRO		TITLE.	Pogo pin Connector

