

Note:<注意>

Mechanical:<机械性能>

.Contact force: 40g±20g at0.8 mm working stroke
 <接触弹力: 40g±20g在0.8mm的工作行程>
 .Full stroke: 1.2mm
 <最大行程: 1.2mm>
 .Life test: 50,000 cycles
 <寿命: 50000次>

Electrical:<电气性能>

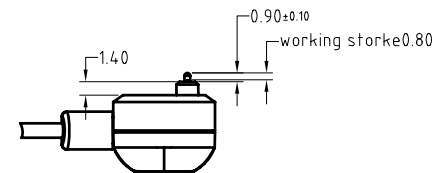
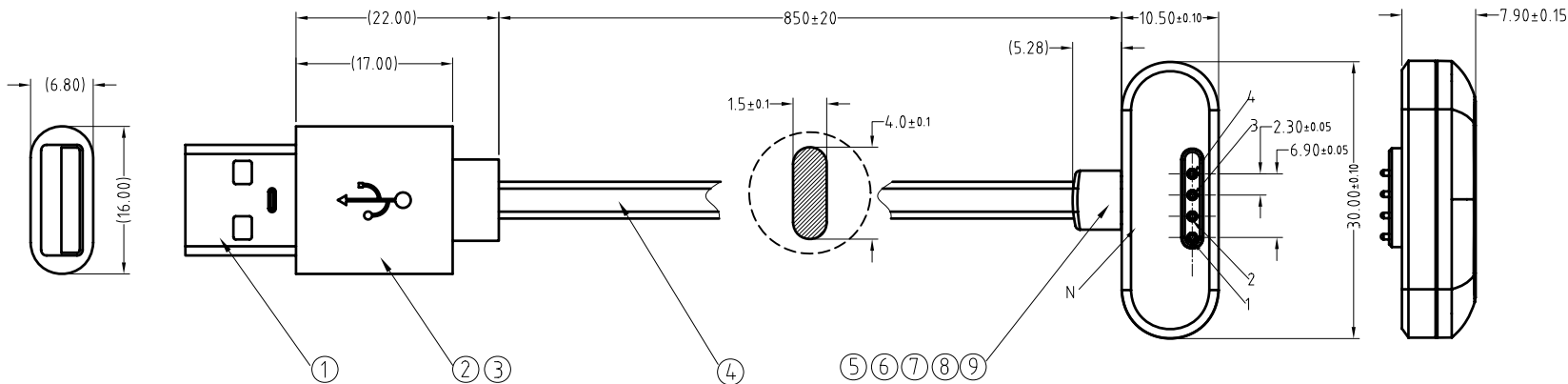
.Rated current & voltage: DC 12V, 1A Max.
 <额定电压, 电流: DC 12V, 1A>
 .Contact resistance: 50 milliohm Max.
 <接触阻抗: 50 milliohm Max.>
 100% open & short test.
 <100%导通,短路测试>



Approve Sign

USB

CONN



9	Pogo pin plating 0.075um Au+PCB+Housing <弹簧针 电镀金0.075um 焊接PCB+胶芯>	M-BP66721-04230H0B	1
8	N52 NdFeB Magnet plating Zn <N52 钕铁硼磁铁 表面镀锌>	B667-M1100	1
7	White ABS UL94 V-0 <白色 ABS UL94 V-0>	B667-H2000	1
6	White ABS UL94 V-0 <白色 ABS UL94 V-0>	B667-H1000	1
5	SR White PVC UL94 V-0 <SR 白色PVC UL94 V-0>	B000-P0001	1
4	1.5×4.0 4C 16×0.08 White Jacket PVC 55P 890mm <1.5×4.0 4芯 16×0.08 白色 外被PVC 55P 890mm>	X104-0103-XXXX	1
3	White PVC 45P 5g <白色 PVC 45P 5g>	B000-P0001	1
2	Lucency PE 3g <透明 PE 3克>	B000-P9001	1
1	USB/AM 0.025um Au white salt spray test 48H <USB/AM 0.025um金 白色 盐雾48小时>	B000-U1001	1
序号 (NO.)	规格 (Specification)	料号 (P/N)	数量 (Qty)

USB→CONN	
Vcc_1	--- 1 Red
D-_2	--- 2 Yellow
D+_3	--- 3 Green
GND_4	--- 4 Blue

	A1	2017.01.11	针头减短0.3mm修改针管针轴电膜厚为0.075um
	A0	2016.12.26	NEW
ECN(DCN) NO.	REV	DATE	DESCRIPTION

SCALE	10:1	UNIT:mm	THIS DOCUMENT IS THE SOLE PROPERTY OF CFE CORPORATION CO.,LTD., AND SHOULD NOT BE USED IN WHOLE OR IN PART WITHOUT PRIOR WRITTEN PERMISSION.	CFE 东莞市川富电子有限公司 CFE CORPORATION CO.,LTD.	
ANGEL	±2°	A4			
0~6	±0.10				SHEET: 1 of 1
6~30	±0.20	DRAW		PART NO.	CM-BP66721-04230H0B
30~150	±0.30	CHECK		FILE NAME	BP667XX
GENERAL TOLERANCE UNLESS OTHERWISE NOTED		APPRO		TITLE	Magnetic Cable Connector