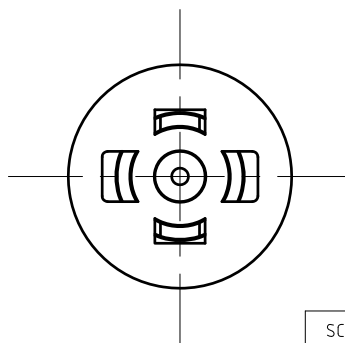
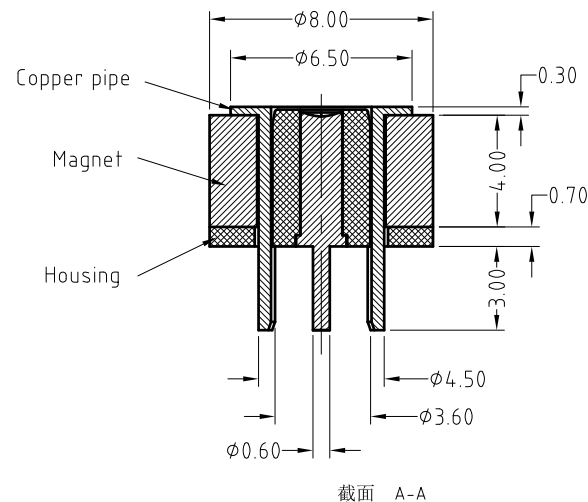
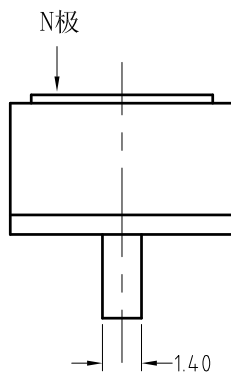
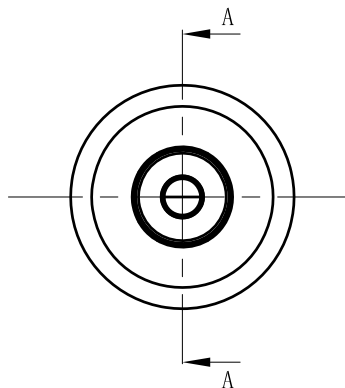


Electrical performance:<电气性能>

.Rated current & voltage: DC 12V, 3A .
 <额定电压, 电流: DC 12V, 3A>
 .Single pin Contact resistance: 30 milliohm Max.
 <单pin接触阻抗: 30 milliohm Max.>
 .When the current is greater than 1A then need to
 increase the time delay circuit(3 second)
 <当电流大于1A时, 则需要增加延时电路(3秒)>
 100% open & short test.
 <100%导通, 短路测试>

Environment performance:<环境性能>

.Operating Temp:-30 to +60°C
 <工作温度: -30 to +60°C>
 .Salt spray:24h
 <盐雾测试: 24小时>
 .Critical dimension:★
 <重点尺寸: ★>
 .产品必须做公母对接使用检验



6	CFE标准包装		
5	透明, 乐赛尔67胶水	LSR-67	/g
4	Pin plating 0.25um Au <针 电镀金0.25um>	B142-W3010	1
3	Copper set of plating Ni <铜套 电镀镍2.5um>	B606-W1100	1
2	N52 NdFeB Magnet plating Ni-Cu-Ni <N52 钕铁硼磁铁 表面镀镍铜镍>	B606-M1100	1
1	Black HTN UL94 V-0 <黑色 HTN UL94 V-0>	B606-H1000	1
序号 <NO.>	规格 <Specification>	料号 <P/N>	数量 <Qty>
2Pin 黑色 磁吸式连接器			

A0	2016.07.28	NEW
REV	DATE	DESCRIPTION

SCALE	10:1	UNIT:mm	THIS DOCUMENT IS THE SOLE PROPERTY OF CFE CORPORATION CO.,LTD., AND SHOULD NOT BE USED IN WHOLE OR IN PART WITHOUT PRIOR WRITTEN PERMISSION.	磁吸充电方案商 Magnetic Charging Solution Provider	
ANGLE	±2°	A4			
0~6	±0.10		SHEET: 1 of 1	PART NO.	M-BP60621-01000H0B
6~30	±0.20	DRAW		FILE NAME	BP606XX
30~150	±0.30	CHECK		TITLE.	Magnetic connector/磁吸连接器
GENERAL TOLERANCE UNLESS OTHERWISE NOTED		APPRO			