

Note:

Materials:

.Insulator: White ABS (TEMP120°) UL94 V-0

.Pin: Brass 0.25um Au over Ni

.Nickel alloy: Iron-nickel alloy

Electrical:

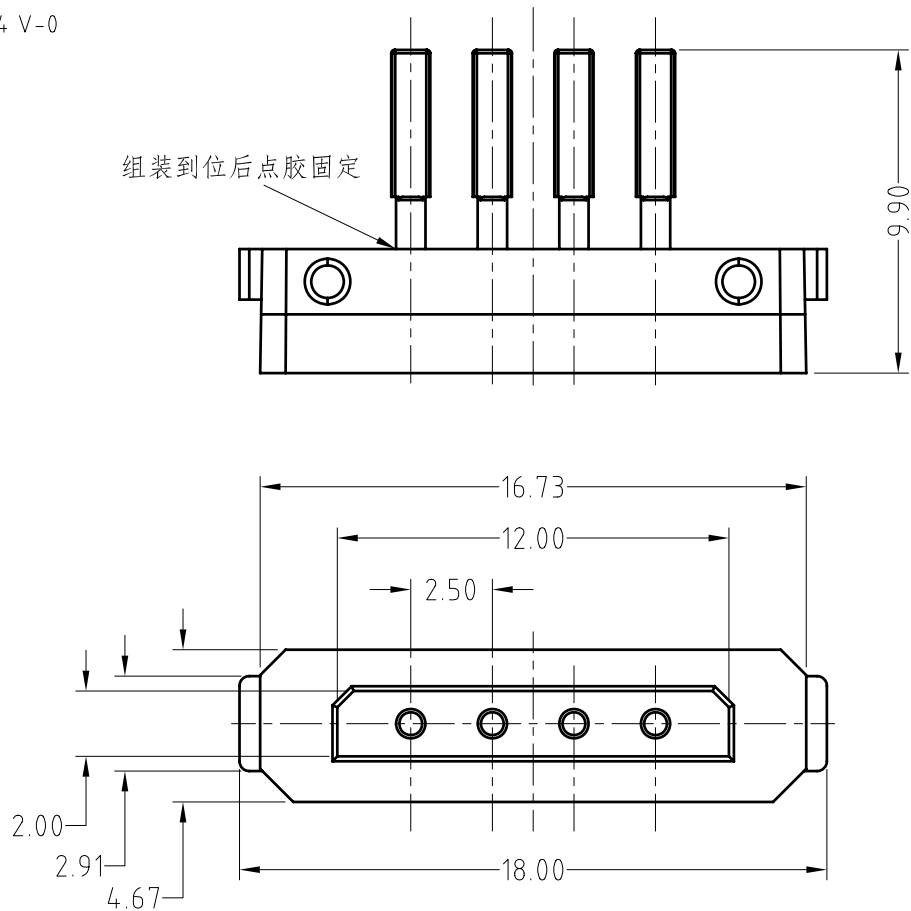
.Rated current & voltage: DC 12V; 1A

.Contact resistance: 50 milliohm Max.



Approve Sign

组装到位后点胶固定



2	Fe Ni Alloy+molding plastic <铁镍合金+成型塑胶>	BP67821-04250H0B	1
1	Pin plating 0.25um Au <针 电镀金0.25um>	B270-w1010	4
序号 <NO.>	规格 <Specification>	料号 <P/N>	数量 <Qty>

SCALE	10:1	UNIT:mm	THIS DOCUMENT IS THE SOLE PROPERTY OF CFE CORPORATION CO.,LTD., AND SHOULD NOT BE USED IN WHOLE OR IN PART WITHOUT PRIOR WRITTEN PERMISSION.	东莞市川富电子有限公司 CFE CORPORATION CO.,LTD.	
ANGEL	±1°	A4			
0~6	±0.05		SHEET: 1 of 1	PART NO.	M-BP67821-04250H0B
6~30	±0.10	DRAW		FILE NAME	BP678XX
30~150	±0.15	CHECK		TITLE.	Pogo pin connector
GENERAL TOLERANCE UNLESS OTHERWISE NOTED		APPRO			

_____	A0	2016.05.11	NEW
ECN(DCN) NO.	REV	DATE	DESCRIPTION