

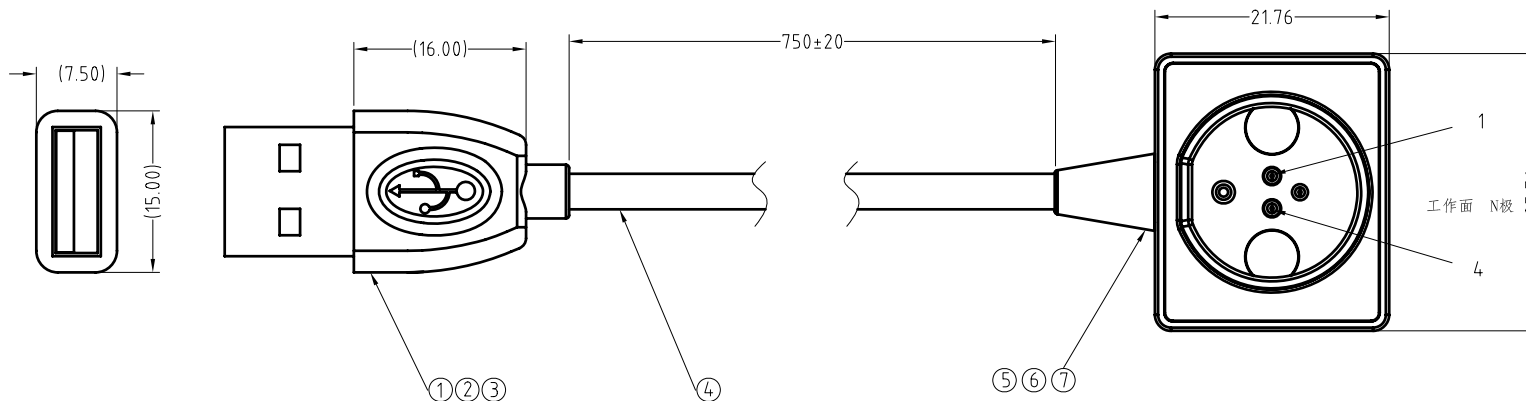
Note:<注意>
 Mechanical:<机械性能>
 .Contact force: 70g±20g at 1.0mm working stroke
 <接触弹力: 70g±20g在1.0mm的工作行程>
 .Life test: 20,000 cycles
 <寿命: 20000次>
 Electrical:<电气性能>
 .Rated current & voltage: DC 12V, 2A Max.
 <额定电压, 电流: DC 12V, 2A>
 .When the current is greater than 1A then need to increase the time delay circuit(3 second)
 100% open & short test.
 <100%导通, 短路测试>

P1

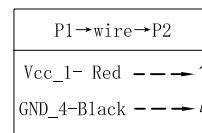
P2



Approve
Sign



7	Magnetic Connector <磁吸接头>	M-BP25611-02300H0A	1
6	White ABS shell <白色ABS外壳>	B256-H2000	1
5	SR Blue PVC 45P <SR 黑色 PVC 45P>	B000-P0002	1
4	OD2.5 2C 7*0.16 Blue PVC 55P 790mm <OD2.5 2芯 7*0.16 黑色 外被PVC 55P 790mm>	X002-0201-XXXX	1
3	Blue PVC 45P 4g <黑色 PVC 45P 4克>	B000-P0002	1
2	Lucency PE 3g <透明 PE 3克>	B000-P9001	1
1	USB/AM 0.025um Au Blue salt spray test 48H <USB/AM 0.025um金 黑色 盐雾24小时>	B000-U2001	1
序号 (NO.)	规格 (Specification)	料号 (P/N)	数量 (Qty)



A

B

C

D

	A3	2017.06.27	修改USB外形
	A2	2015.03.30	修改产品规格, pin针数量
	A1	2014.09.27	图面修正
	A0	2014.09.26	NEW
ECN(DCN) NO.	REV	DATE	DESCRIPTION

SCALE	10:1	UNIT:mm	THIS DOCUMENT IS THE SOLE PROPERTY OF CFE CORPORATION CO.,LTD., AND SHOULD NOT BE USED IN WHOLE OR IN PART WITHOUT PRIOR WRITTEN PERMISSION.	东莞市川富电子有限公司 CFE CORPORATION CO.,LTD.	
ANGEL	±2°	A4			
0~6	±0.10		SHEET: 1 of 1	PART NO.	CM-BP25611-02300H0A
6~30	±0.20	DRAW		FILE NAME	BP256XX
30~150	±0.30	CHECK		TITLE	Magnetic Cable Connector
GENERAL TOLERANCE UNLESS OTHERWISE NOTED		APPRO			