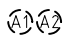
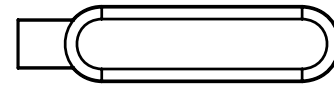
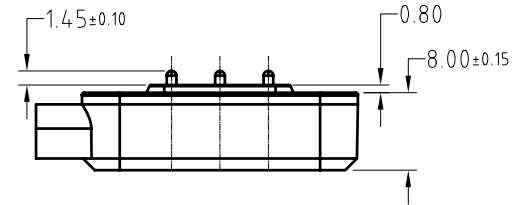
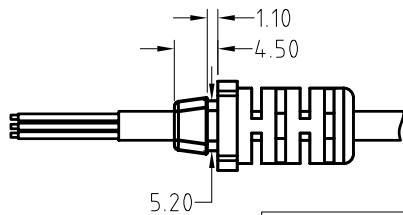
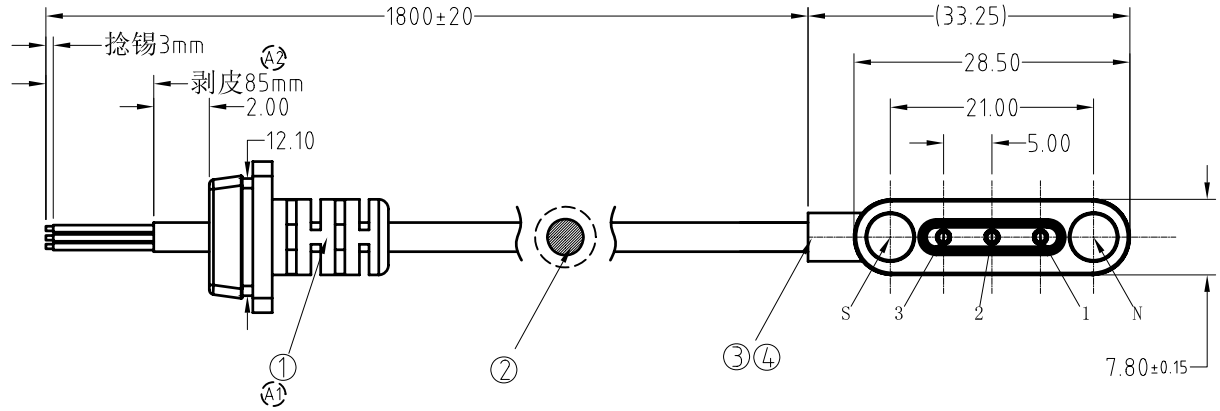
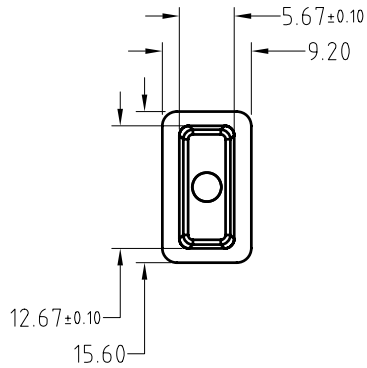


Note: <注意>
 Mechanical: <机械性能>
 .Contact force: 40g±15g at 1.0mm working stroke
 <接触弹力: 40g±15g在1.0mm的工作行程>
 .Full stroke: 1.40mm
 <最大行程: 1.40mm>
 .Life test: 50,000 cycles
 <寿命: 50000次>
 Electrical: <电气性能> 
 .Rated current & voltage: DC 12V, 1A .
 <额定电压, 电流: DC 12V, 1A>
 .Contact resistance: 50 milliohm Max.
 <接触阻抗: 50 milliohm Max.>
 100% open & short test.
 <100%导通, 短路测试>



Approve Sign




P1→wire	
Red	----- 1
Green	----- 2
Black	----- 3

4	Magnitic connector <磁吸接头>	M-BP88501-03500H0A	1
3	White PVC 45P <白色 PVC 45P>	B000-P0001	1
2	OD3.0 3C 26AWG White Jacket PVC 55P 1840mm <OD3.0 3芯 26AWG 白色 外被PVC 55P 1840mm>	X003-0101-XXXX	1
1	SR White PVC 45P <白色 PVC 45P>	B000-P0001	1
序号 (NO.)	规格 (Specification)	料号 (P/N)	数量 (Qty)

	A2	2017.02.08	增加SR修改电压为12V
	A1	2017.02.06	增加SR修改电压为5V
	A0	2016.12.17	NEW
ECN(DCN) NO.	REV	DATE	DESCRIPTION

SCALE	10:1	UNIT:mm	THIS DOCUMENT IS THE SOLE PROPERTY OF CFE CORPORATION CO.,LTD., AND SHOULD NOT BE USED IN WHOLE OR IN PART WITHOUT PRIOR WRITTEN PERMISSION.
ANGEL	±2°	A4	
0~6	±0.10		
6~30	±0.20	DRAW	
30~150	±0.30	CHECK	
GENERAL TOLERANCE UNLESS OTHERWISE NOTED		APPRO	

 **东莞市川富电子有限公司**
 CFE CORPORATION CO.,LTD.

SHEET: 1 of 1

PART NO.	CM-BP88501-03500H0A
FILE NAME	BP885XX
TITLE	Magnetic Cable Connector