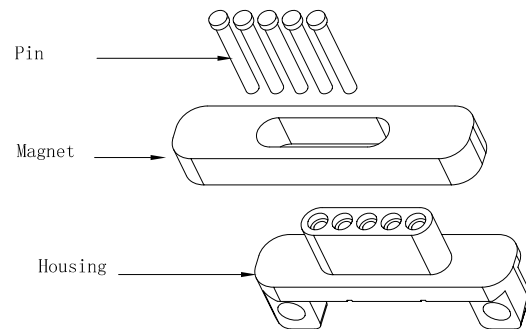
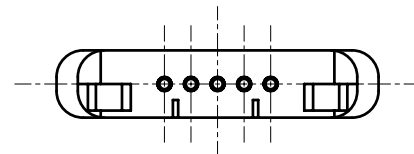
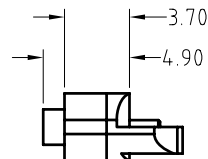
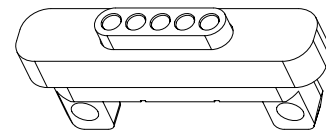
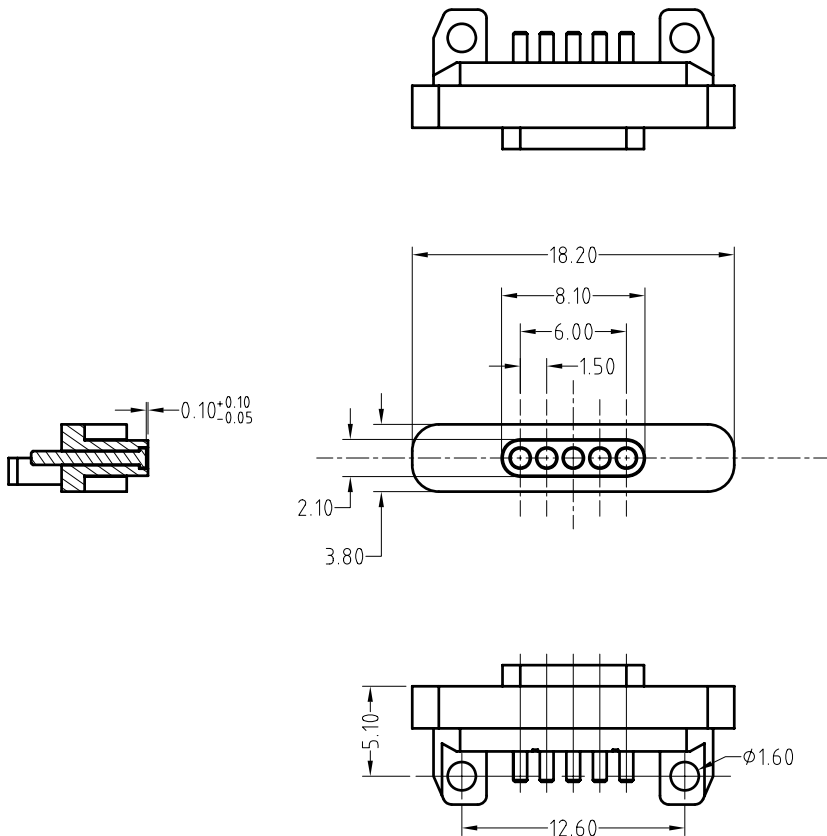


Note:<注意>
 Electrical:<电气性能>
 .Rated current & voltage: DC 12V, 2A Max.
 <额定电压, 电流: DC 12V, 2A>
 .When the current is greater than 1A then need to
 increase the time delay circuit(3 second)
 100% open & short test.
 <100%导通, 短路测试>



Approve Sign



3	Pogo pin plating 0.25um Au <弹簧针 电镀金0.25um>	BP43041	5
2	Alloy <铁镍合金>		1
1	Black HTN UL94 V-0 <黑色 HTN UL94 V-0>		1
序号 <NO.>	规格 <Specification>	料号 <P/N>	数量 <Qty>

SCALE	10:1	UNIT:mm	THIS DOCUMENT IS THE SOLE PROPERTY OF CFE CORPORATION CO.,LTD., AND SHOULD NOT BE USED IN WHOLE OR IN PART WITHOUT PRIOR WRITTEN PERMISSION.	CFE 东莞市川富电子有限公司 CFE CORPORATION CO.,LTD.	
ANGEL	±2°	A4			
0~6	±0.10		SHEET: 1 of 1	PART NO.	MFA010522-05A1A0
6~30	±0.20	DRAW		FILE NAME	MXA0105
30~150	±0.30	CHECK		TITLE.	Magnetic connector/磁吸连接器
GENERAL TOLERANCE UNLESS OTHERWISE NOTED		APPRO			

ECN(DCN) NO.	REV	DATE	DESCRIPTION
	D0	2017.10.13	NEW