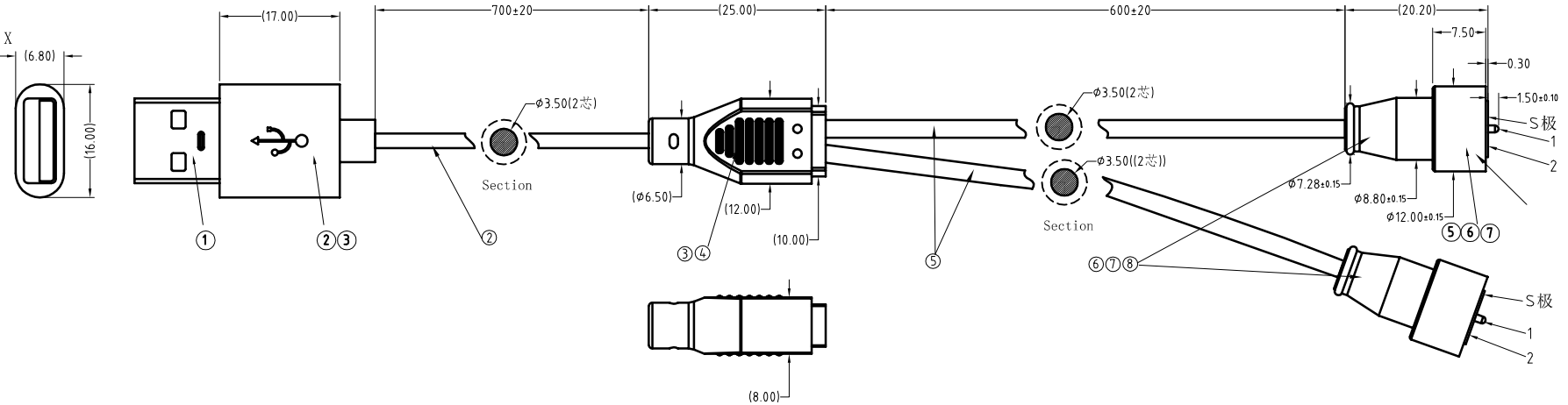


Note:<注意>
 Mechanical:<机械性能>
 .Contact force: 80g±20g at 1.1mm working stroke
 <接触弹力: 80g±20g在1.1mm的工作行程>
 .Full stroke: 1.6mm
 <最大行程: 1.6mm>
 .Life test: 100,000 cycles
 <寿命: 100000次>
 Electrical:<电气性能>
 .Rated current & voltage: DC 12V, 2A
 <额定电压, 电流: DC 12V, 2A>
 .Contact resistance: 50 milliohm Max.
 <接触阻抗: 50 milliohm Max.>
 100% open & short test.
 <100%导通,短路测试>
 专利号: ZL201420146582.X



Approve Sign



8	Magnetic Connector <磁吸接头>	M-BP14211-01000H0B	2
7	Black PVC 45P <成型外被 黑色 PVC 45P >	B000-P0002	2
6	Lucency PE <成型内膜 透明 PE >	B000-P9001	2
5	OD3.5 2C 24AWG Black Jacket PVC 55P 640mm <电子线OD3.5 2芯 24AWG 黑色 外被PVC 55P 640 mm>	X002-0214-XXXX	2
4	PCB polyester fiber board <PCB 聚酯纤维板>	B941-F1000	1
3	Adapter SR Black PVC 45P <转接SR 黑色 PVC 45P>	B000-P0002	1
2	OD3.5 2C 22AWG Black Jacket PVC 55P 740mm <电子线OD3.5 2芯 22AWG 黑色 外被PVC 55P 740 mm>	X002-0203-XXXX	1
1	SR Black PVC 45P <成型SR 黑色 PVC 45P>	B000-P0002	1
序号 (NO.)	规格 (Specification)	料号 (P/N)	数量 (Qty)

Wire→PCB→CONN	
Vcc_1+	1 针
GND_1-	2 壳
Vcc_1+	1 针
GND_1-	2 壳

	D0	2017.01.11	NEW
ECN(DCN) NO.	REV	DATE	DESCRIPTION

SCALE	10:1	UNIT:mm	THIS DOCUMENT IS THE SOLE PROPERTY OF CFE CORPORATION CO.,LTD., AND SHOULD NOT BE USED IN WHOLE OR IN PART WITHOUT PRIOR WRITTEN PERMISSION.
ANGEL	±2°	A4	
0~6	±0.10		SHEET: 1 of 1
6~30	±0.20	DRAW	
30~150	±0.30	CHECK	
GENERAL TOLERANCE UNLESS OTHERWISE NOTED		APPRO	



PART NO.	CM-BP94111-01000H0A
FILE NAME	BP941XX
TITLE.	Magnetic Cable Connector