

Note:<注意>

Mechanical:<机械性能>

Contact force: 40g±20g at 0.7mm working stroke

<接触弹力: 40g±20g在0.7mm的工作行程>

Life test: 20,000 cycles

<寿命: 20000次>

Electrical:<电气性能>

Rated current & voltage: DC 12V, 2A

<额定电压, 电流: DC 12V, 2A>

Contact resistance: 50 milliohm Max.

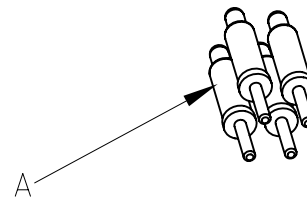
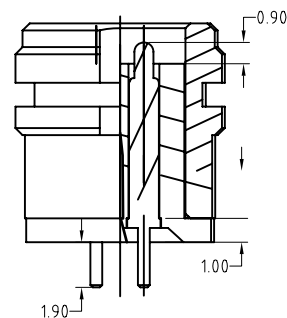
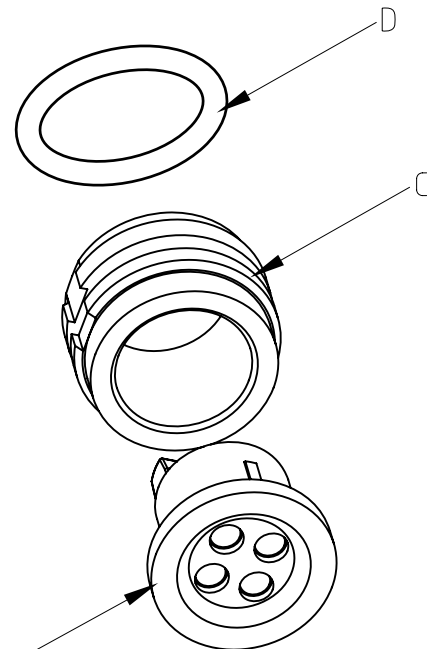
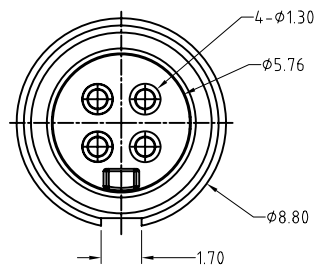
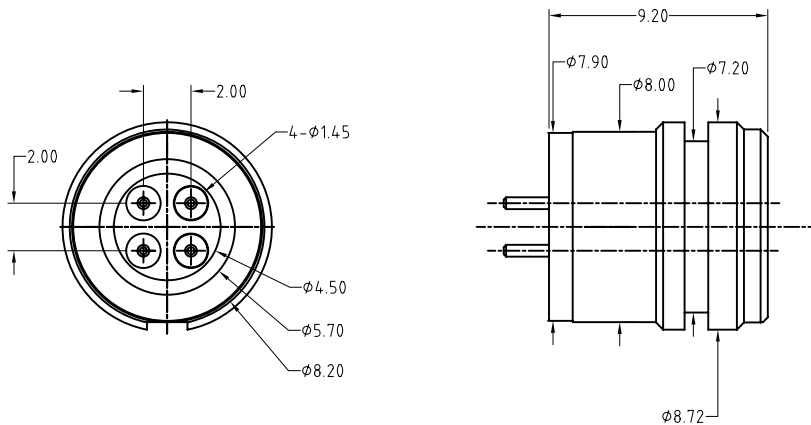
<接触阻抗: 50 milliohm Max.>

100% open & short test.

<100%导通,短路测试>



Approve Sign



D	黑色 橡胶圈	B466-H3000	1
C	铁镍合金 本色 表面镀镍	B466-A1100	1
B	Black HTN UL94 V-0 黑色 HTN UL94 V-0	B466-H1000	1
A	PogoPin plating 0.25um Au <弹簧针 电镀金0.25um>	BP46611	4
序号 (NO.)	规格 (Specification)	料号 (P/N)	数量 (Qty)

	D3	2016.01.11	修改合金件、塑胶弹簧针尺寸规格
	D2	2015.10.30	弹力70改为40g
	D1	2015.10.30	
	D0	2015.07.21	NEW
ECN(DCN) NO.	REV	DATE	DESCRIPTION

SCALE	10:1	UNIT:mm	THIS DOCUMENT IS THE SOLE PROPERTY OF CFE CORPORATION CO.,LTD., AND SHOULD NOT BE USED IN WHOLE OR IN PART WITHOUT PRIOR WRITTEN PERMISSION.	
ANGEL	±1°	A4	SHEET: 1 of 1	
0~6	±0.10		PART NO. M-BP46611-04200H0M	
6~30	±0.15	DRAW	FILE NAME BP411XX	
30~150	±0.20	CHECK	TITLE. Pogo pin connector	
GENERAL TOLERANCE UNLESS OTHERWISE NOTED		APPRO		

