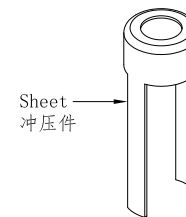
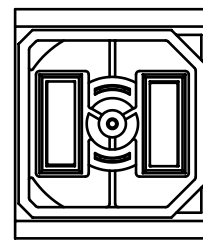
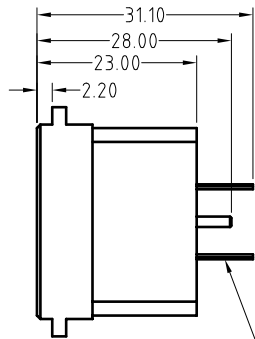
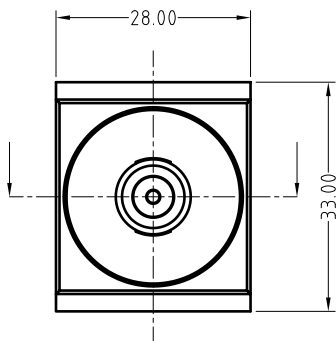
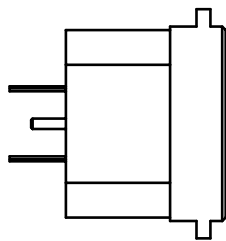
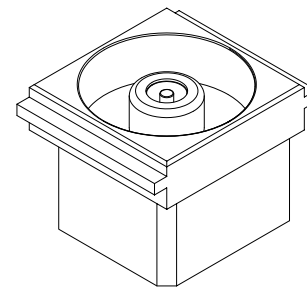
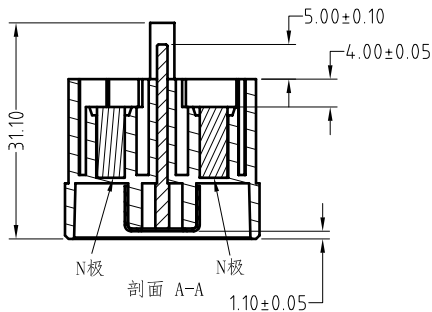


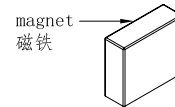
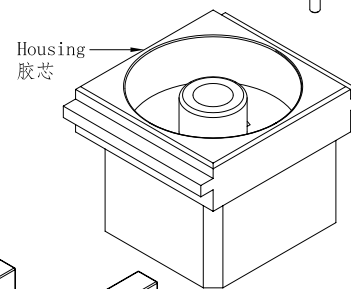
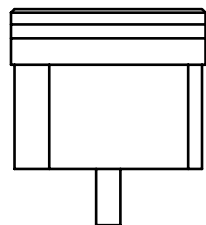
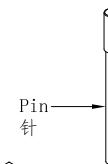
Note:<注意>
 Material:<材料>
 Sheet:SPCC plating Ni.
 <冲压件: SPCC 表面镀镍>
 Housing:Black HTN UL94 V-0
 <胶芯: 黑色HTN UL94 V-0>
 Pin:Brass C3604 0.25um Au over Ni
 <Pin针: 黄铜C3604 表面镀金10U", 底层镀镍50-100U">
 Magnet:N48 NdFeB Magnet plating Ni-Cu-Ni
 <磁铁: N48钕铁硼 表面镀镍铜镍>
 Electrical:<电气性能>
 Rated current & voltage: DC 12V, 1A
 <额定电压, 电流: DC 12V, 1A>
 Contact resistance: 50 milliohm Max.
 <接触阻抗: 50 milliohm Max.>
 100% open & short test.
 <100%导通,短路测试>



Approve Sign



铁片组装到位之后, 将2个脚往外折弯以卡住胶芯定位冲压铁片



SCALE	10:1	UNIT:mm	THIS DOCUMENT IS THE SOLE PROPERTY OF CFE CORPORATION CO.,LTD., AND SHOULD NOT BE USED IN WHOLE OR IN PART WITHOUT PRIOR WRITTEN PERMISSION.
ANGEL	±2°	A4	
0~6	±0.10		SHEET: 1 of 1
6~30	±0.20	DRAW	
30~150	±0.30	CHECK	
GENERAL TOLERANCE UNLESS OTHERWISE NOTED		APPRO	

CFE 东莞市川富电子有限公司
 CFE CORPORATION CO.,LTD.

PART NO. M-BP51011-01000H0F

FILE NAME BP510XX

TITLE. Pogo pin Connector

ECN(DCN) NO.	D0	2015.09.15	NEW
REV	DATE	DESCRIPTION	