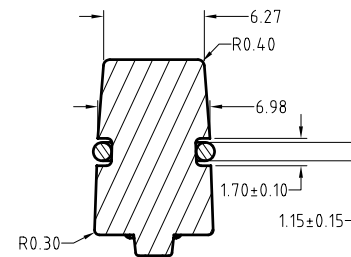
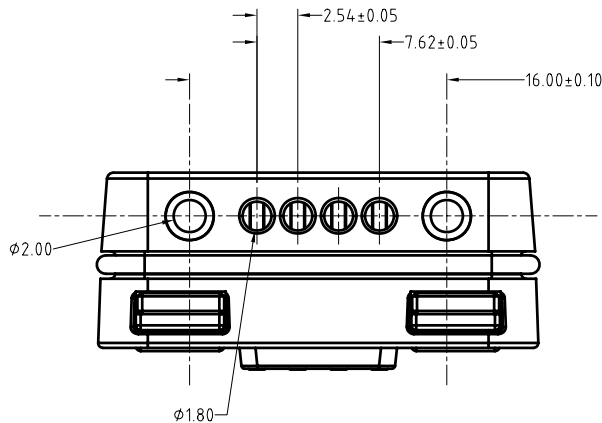
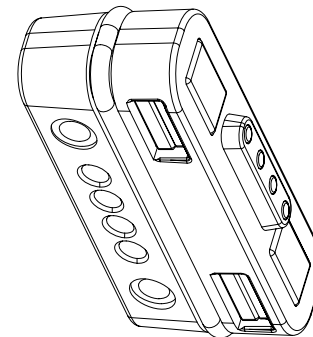
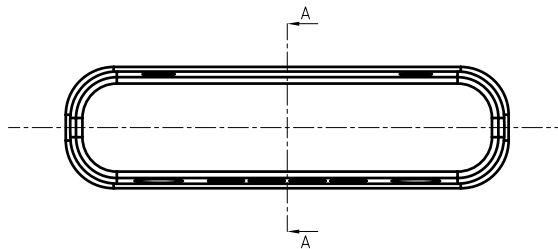


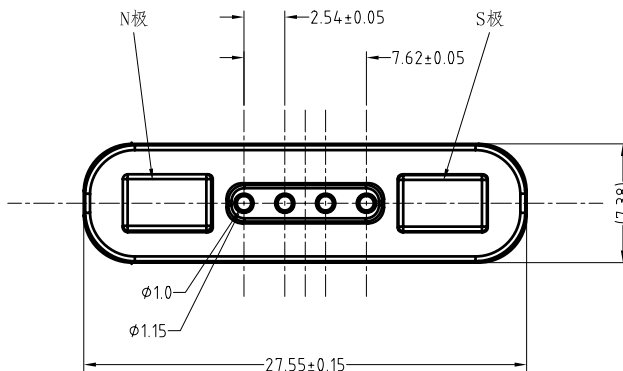
Note:<注意>
 Electrical:<电气性能>
 .Rated current & voltage: DC 12V, 2A
 <额定电压, 电流: DC 12V, 2A>
 .Contact resistance: 50 milliohm Max.
 <接触阻抗: 50 milliohm Max.>
 100% open & short test.
 <100%导通,短路测试>



Approve Sign



截面 A-A



3	Black Rubber ring <黑色橡胶圈>	B633-H5005	1
2	Black HTN UL94 V-0 6g <黑色HTN UL94 V-0 6g>	B000-P0013	1
1	Magnet connector <磁吸接头>	M-BP63331-04254H0C	1
序号 <NO. >	规格 <Specification>	料号 <P/N>	数量 <Qty>

SCALE	10:1	UNIT:mm	THIS DOCUMENT IS THE SOLE PROPERTY OF CFE CORPORATION CO.,LTD., AND SHOULD NOT BE USED IN WHOLE OR IN PART WITHOUT PRIOR WRITTEN PERMISSION.	SHEET: 1 of 1
ANGEL	±2°	A4		
0~6	±0.10			
6~30	±0.20	DRAW		
30~150	±0.30	CHECK		
GENERAL TOLERANCE UNLESS OTHERWISE NOTED			APPRO	
PART NO.		M-BP63321-04254H0F		
FILE NAME		BP633XX		
TITLE.		Pogo pin Connector		



ECN(DCN) NO.	REV	DATE	DESCRIPTION
	A0	2016.07.28	NEW